



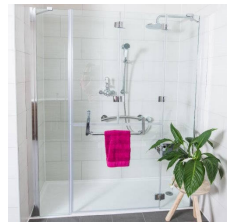
Independent 4 Life

Opulence RH GD52 In-line Top Bi-fold Stable Door, LH Fixed Wall Panel 1200-1800mm (Right Hand)

£1,392.00 Inc. VAT

Product Code: GD52-RH

Product Images



Place compensator against the wall ensuring that it rests on the flat area of the shower tray / wall-floor former.

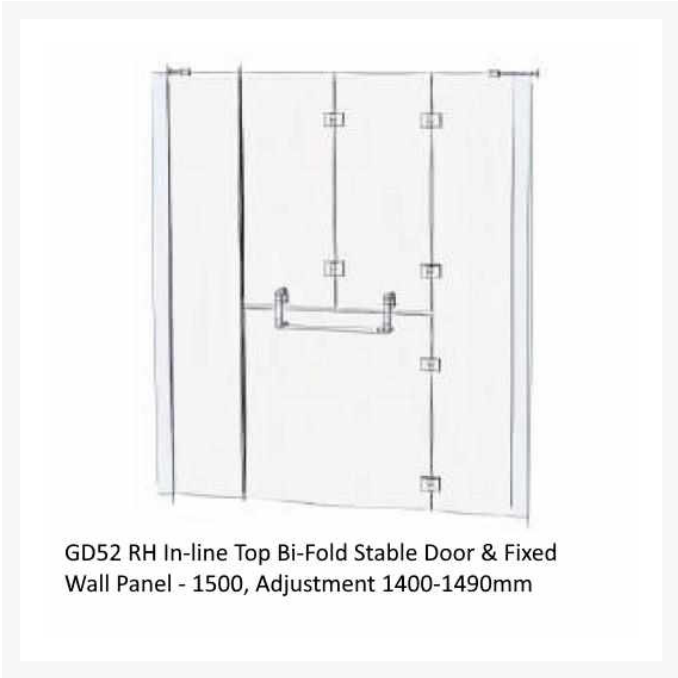
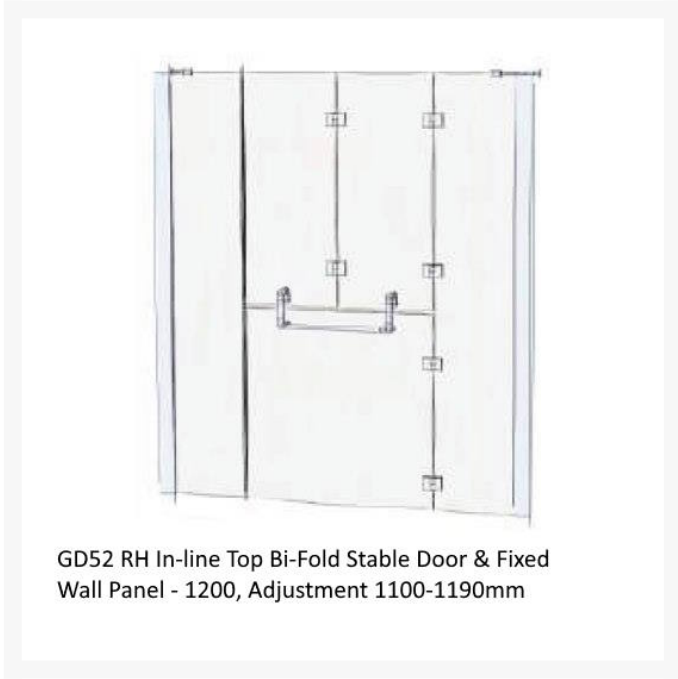


Towel rail & handles



The external handles are designed to rotate 180° to allow the upper & lower doors to open independently and so that they don't clash when "PANEL B & C" are folded back against each other.





Product Options

Tray Size (mm)	Price Inc. VAT
1200 Width (Tray Front)	£1,392.00
1300 Width (Tray Front)	£1,392.00
1500 Width (Tray Front)	£1,444.80
1600 Width (Tray Front)	£1,452.00
1700 Width (Tray Front)	£1,479.60
1800 Width (Tray Front)	£1,564.80

Additional Options

Opulence Chrome Towel Rail	Towel Rail	£0.00
Wall profile compensator	Coved profile - Vinyl safety flooring	£0.00
	Square profile - Tiled floors & shower trays	£0.00

Description

The GD52-RH is ideal as a bath replacement shower door enclosure for installation between two walls.

This inline full height shower enclosure from the Contour Opulence range. It features a right-hand outward opening bi-folding stable shower door, with a left hand fixed panel at the wall.

Constructed from 6mm thick CE approved toughened glass with Easy Clean glass coating, alongside 180° rise and fall hinges and easy to grip door handles.

Removing the existing bath tub will leave an alcove, a space between 3 walls, to install an inline glass door which can be used by all the family for multi generational living.

The innovative split height design allows the top panels to be opened independently for assisted showering.

Small internal handle with integrated finger channels for easy use.

Glazed fixed panels of 8mm thick toughened safety glass and door sections of 6mm thick toughened safety glass sections with Easy Clean glass coating.

The GD52-RH comes in a choice of sizes, supplied with square profiles for shower trays / tiled floors or coved wall profiles for vinyl flooring.

Key benefits:

- Ideal for replacing a bath with a shower enclosure on a wet room floor or shower tray
- Shower door enclosure height 1900mm
- Right hand In-line top bi-fold stable right-hand door with a left-hand fixed panel at the wall
- The fixed wall panel helps to avoid sanitary ware, with 45mm adjustment for easy fitting
- Split height allows the top panels to be opened outwards independently for assisted showering
- 850mm high bottom door panel projects above standard sanitary ware
- Fixed hinge panels: 8mm thick - CE approved toughened clear safety glass
- Door panels: 6mm thick - CE approved toughened clear safety glass
- Easy Clean glass coating - designed to reduce staining and help keep the enclosure looking new
- 180° rise and fall hinges - allow doors to open smoothly but seal tightly
- Easy grip internal and external door handles
- 45° fixed glass panel tie back bars ensure a rigid installation
- Unique, chrome towel rail connects located on the bottom door panel
- Aluminium, satin chrome polished wall profiles, with 45mm adjustment
- Chromed brass hinges, wall brackets and door furniture
- Watertight clear seals with magnetic door seals
- Choice of coved profile to accommodate vinyl flooring or square profile for tiled floors and shower trays
- Compatible with showers trays and wet room floor formers with a 40mm flat perimeter
- Right-handed - Choice of size

Split height panels:

- Total height of enclosure (mm): 1900
- Height of bottom door panel (mm): 850
- Height of upper door panel (mm): 1050

1920mm high wall profile options:

- Square edge compensator for shower trays and tiled wet room floors
- Curved edge compensator coved vinyl safety sheet flooring

Warranty:

- Manufacturer lifetime guarantee, with 12 months for rubber seals

Please note:

- The Shower Tray, shown in the main image is not included
- Due to the nature of all glass shower doors, we cannot guarantee they are 100% watertight
- Power showers are not recommended for use with Opulence shower doors

Manufacturer product codes:

- Right hand: GD52-12-01RH, GD52-13-01RH, GD52-15-01RH, GD52-16-01RH, GD52-17-04RH, GD52-18-07RH

Additional Information

Manufacturer	AKW / Contour
Height (mm)	1900
Shape	Inline (Alcove)
Handing	Right Hand
For Installation On	Trays / Vinyl or Tiled Floors
Glass Thickness (mm)	6 and 8
Glazing	Clear - Toughened Safety Glass (TSG)
Finish	Satin Chrome Polished