



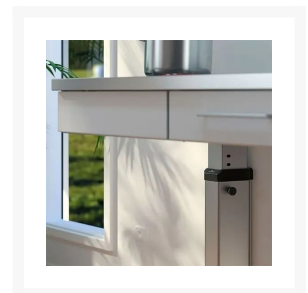
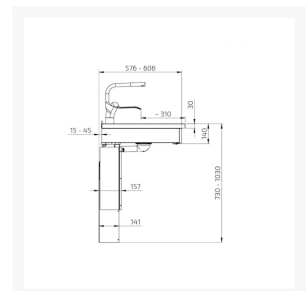
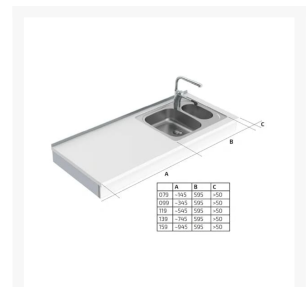
Independent 4 Life

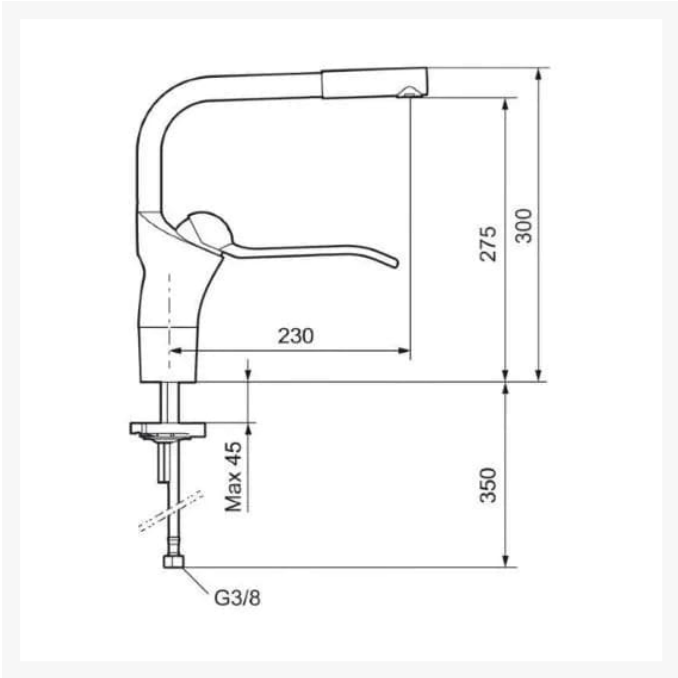
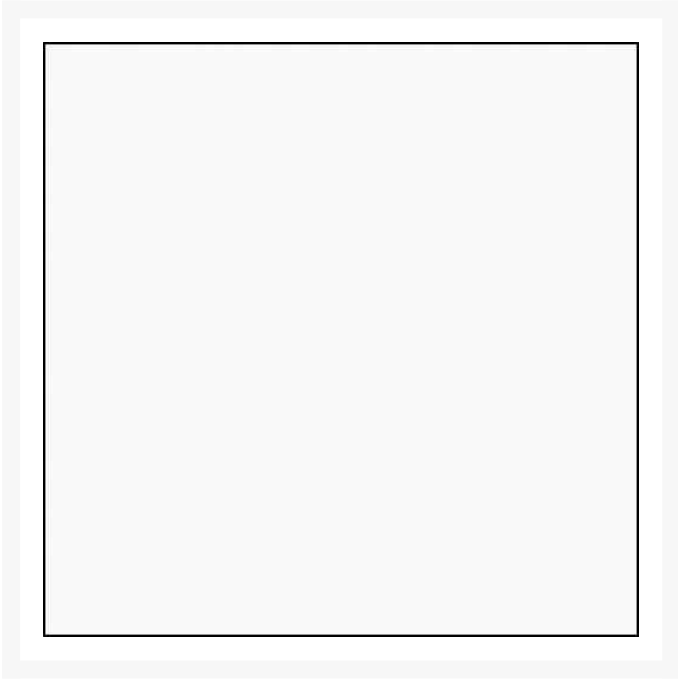
Granberg Wall Mounted Manual Sink Module 6380-ES20 - Right, Choice of Widths 790-1590mm

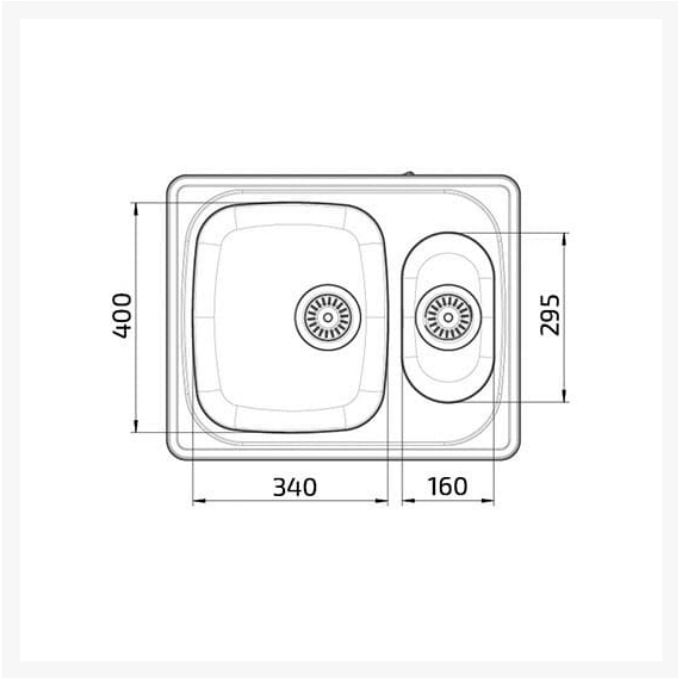
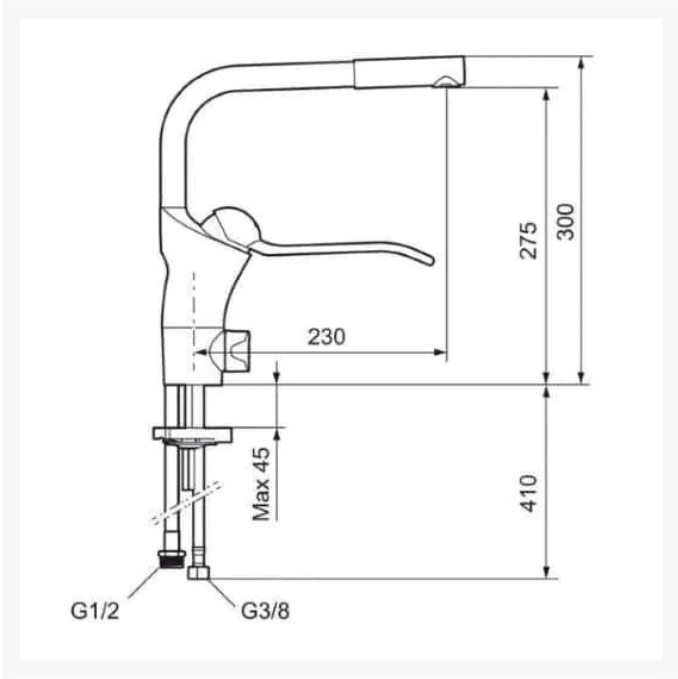
£4,774.80 Inc. VAT

Product Code: 6380-ES20-R

Product Images







Product Options

Frame Width (mm)	Price Inc. VAT
790	£4,774.80
990	£4,867.20
1190	£5,272.80
1390	£5,365.20
1590	£5,458.80

Additional Options

Optional - Granberg mixer tap, with 500mm flexible water hoses & Tap hole cutter	Incl. dishwasher shut off (Not WRAS approved)	£482.40
	Without dishwasher shut off (Not WRAS approved)	£482.40

Description

Granberg's Sink Module 6380-ES20R wall mounted with 300mm of manual height adjustment by gas strut legs. Right hand insulated ES20 under-glued inset kitchen sink with 1+1/2 shallow depth 120mm sink bowls with overflows and a 30mm White laminate worktop. The sinks insulated underside prevents scalding and burns to the user.

Choice of optional Granberg FM Mattsson kitchen monobloc mixer taps, 190mm easy to reach lever with a swivel spout - with or without dishwasher cut-off valve.

For occasional height adjustments. Height adjustable range of 300mm, in increments of 25mm. The built-in gas spring in the support legs facilitates height adjustment, with a locking pin.

Compatible with any kitchen manufacturer this complete manual worktop lifting system is easy and quick to install.

The modules are manufactured 10mm shorter in width, to allow for a 5mm clearance gap at both ends for safe movement, ideal for the direct replacement of 800 to 1600mm width cabinets. The module has a reduced depth of 15mm to accommodate splashbacks and wall tiles.

Electric floor standing systems or Manual wall mounted variations are also available.

Key benefits:

- Right hand kitchen sink module with 300mm of manual height adjustment, 700-1000mm above floor, plus the 30mm worktop

- Worktop décor - K1040 Un 30mm White Laminate finished with a brushed aluminium rear edge trim
 - Built-in gas spring in the support legs facilitates height adjustment, with a locking pin
 - Pull out the locking pin, adjust the height in 25mm increments with the help of the gas spring. Lock the position with the locking pin
 - Tilt able worktop plane for adjustment
 - Full extension drawers can be added, as a factory fitted option - (Contact us if required)
 - Range of widths 790, 990, 1190, 1390 and 1590mm to suit standard kitchen base unit spaces: 800, 1000, 1200, 1400 and 1600mm
 - The modules are 10mm shorter in width to allow for a 5mm gap both sides of the unit for the up/down movement
 - Adjustable depth 576-606mm including the Alu. front to suit adjoining cabinets and worktops
 - 100mm free space below the foot of each leg for services
 - Quick solution, top frame supplied pre-assembled for fast site installation
 - White Powder Coated RAL 9003 aluminium 103mm facia front with plastic end caps
 - Right hand mounted insulated ES20 kitchen sink with one shallow bowl and one shallow rinse bowl; with overflow. Inset and under-glued into the worktop
 - Optional Granberg FM Mattsson (FMM) kitchen monobloc mixer tap with 190mm easy reach lever and swivel spout that can be adjusted to 60°, 85°, 110°, 360° or fixed
 - Pair of flexible Water Hoses 2-pack, 3/8", length 500mm with Tap connectors for FMM taps
- Optional choice of tap style:**
- - 60210 FMM Inc. dishwasher shut off valve (Not WRAS approved)
 - - 60211 FMM Excl. dishwasher shut off valve (Not WRAS approved)
 - All components available separately

Sink Module 6380-ES20 Right includes:

- Wall mounted Manulift 6380 with 2x legs
- Built-in gas spring in the support legs facilitates height adjustment, with a locking pin
- 2x 12mm matt white melamine cover panels hide service installations under the worktop
- White aluminium front facia
- Worktop décor - K1040 Un 30mm White Laminate
- Brushed aluminium rear edge strip
- Right hand mounted insulated ES20 under-glued inset sink with dual shallow traps, strainer wastes and a flexible drain hose
- Optional choice of Granberg FMM Mixer tap with long lever with or without dishwasher cut-off valve, and flexible water hoses
- Note: Tap hole undrilled - Tap hole cutter included

Recommended accessories:

- Full extension, push-to-open integrated drawers
- Cutlery trays
- Mini cabinet on wheels
- FMM long lever kitchen mixer taps, tap hole cutter and flexible hoses

Technical details:

- Occasional height adjustment: Manually adjustable by 300mm (700 - 1000mm excl. worktop) in 25mm increments
- Built-in gas spring in the support legs facilitates height adjustment, with a locking pin
- Pull out the locking pin, adjust the height in 25mm increments with the help of the gas spring. Lock the position with the locking pin
- Frame depth: 576 - 606mm from the wall (Incl. front)

- Tilt able worktop plane for adjustment
- Front height: 103mm
- All fittings for assembly supplied, wall fixings not included
- Space to adjoining wall / cabinet side (mm): 5
- Space to wall (for tiles): 15mm
- Tiling: From 700 mm above the floor (alternatively tile down to floor level)
- Worktop frame Material: Aluminium frame
- ES20 sink overall size: 616mm width x 496mm depth
- Main bowl size: 340mm width x 400mm depth x 120mm deep
- Rinse bowl size: 160mm width x 295mm depth x 120mm deep
- Plate thickness: 0.8 mm, brushed stainless steel
- Shallow traps, strainer wastes and a flexible waste kit

Warranty:

- 2 year manufacturer warranty

Please note:

- Due to the custom nature of this product, it is made-to-order and is therefore non-returnable
- The Tap hole is not pre-drilled
- The cover panels must be removed to allow for height adjustments to be made

Additional Information

Manufacturer	Granberg
Mounting / Model	Wall / Sink Module
Max. Load (kg / St)	100 / 15.7
Method of Operation	Manual - Gas Strut Legs
Height Adjustment (mm)	300
Mounting	Wall Mounted