



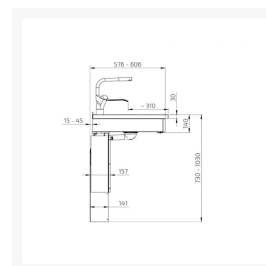
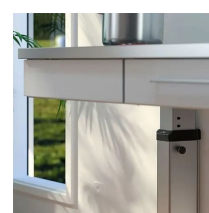
Independent 4 Life

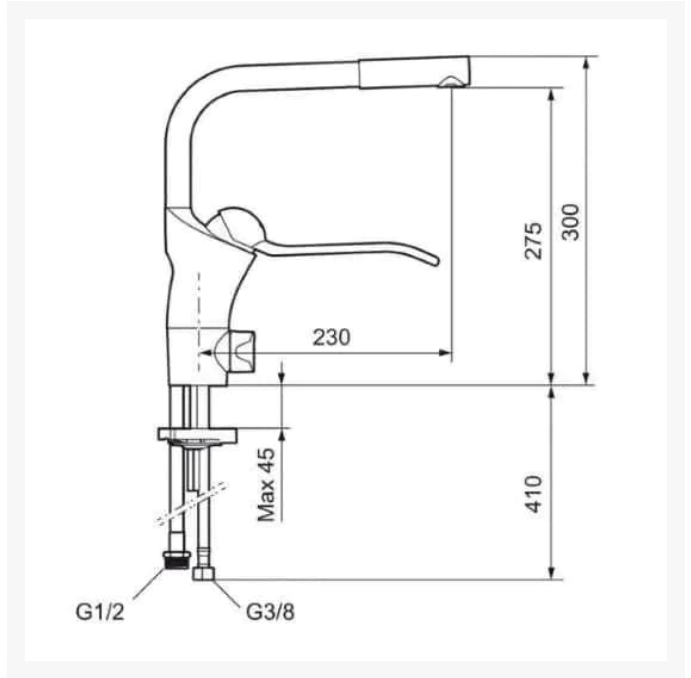
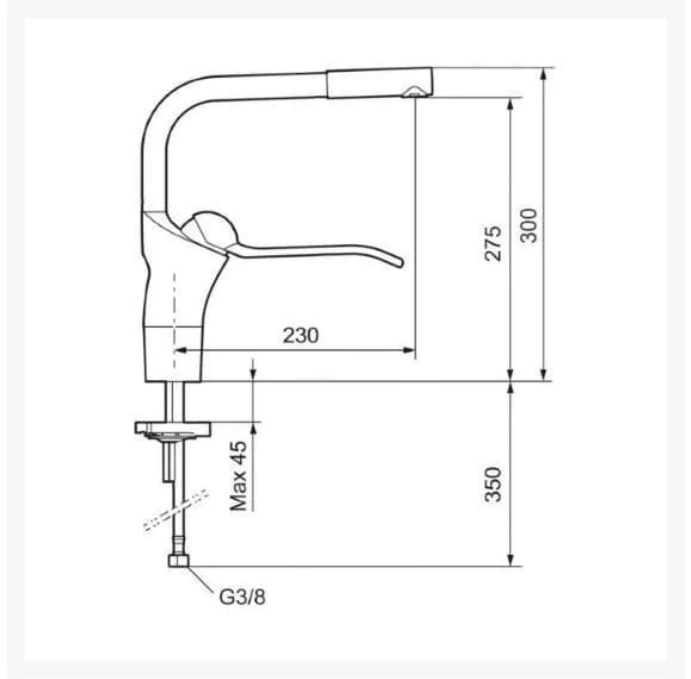
# Granberg Wall Mounted Manual Mini Kitchen Module 6380-ESFS - Right, Choice of Widths 990-1190mm

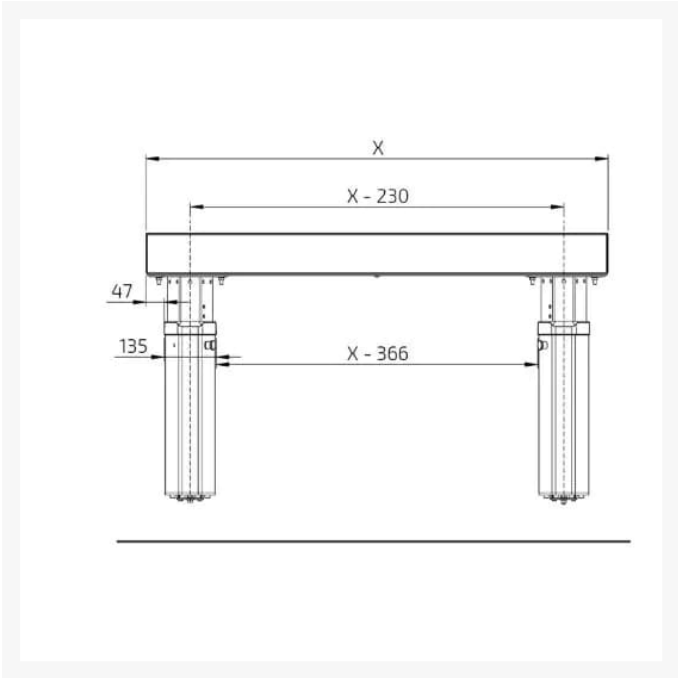
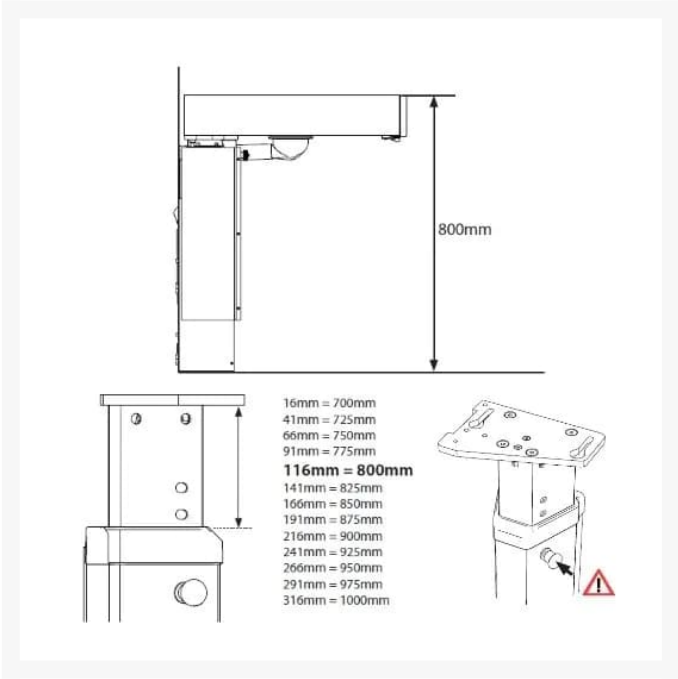
£3,602.40 Inc. VAT

Product Code: 6380-ESFS-R

## Product Images







## Product Options

Frame Width (mm)	Price Inc. VAT
990	£3,602.40
1190	£4,191.60

<b>Please input your total hob cut-out width (mm)</b>		£0.00
<b>Please input your total hob cut-out depth (mm)</b>		£0.00
<b>Optional - Granberg mixer tap, with 500mm flexible water hoses &amp; Tap hole cutter</b>	Incl. dishwasher shut off (Not WRAS approved)	£482.40
	Without dishwasher shut off (Not WRAS approved)	£482.40

## Description

Granberg's Mini kitchen Module 6380-ESFSR, a wall mounted manual worktop lift with 300mm of height adjustment. One piece stainless steel worktop with a left hand 2 zone hob cut-out and a right hand single bowl shallow depth insulated kitchen sink with overflow. The insulated sink bowl prevent scalding of users knees/legs.

The worktop lift features a smooth stainless worktop that is ideal for preparing food or as drying area.

Choice of optional Granberg FM Mattsson kitchen monobloc mixer taps, 190mm easy to reach lever with a swivel spout - with or without dishwasher cut-off valve.

The underside of the ESFS stainless steel worktop/drying area is supported by a fully-glued MDF board.

For occasional height adjustments. Height adjustable range of 300mm, in increments of 25mm. The built-in gas spring in the support legs facilitates height adjustment, with a locking pin.

Pre-fitted front fascia, the rear cover panels are easy to fit and hide the legs and services.

The modules are manufactured 10mm shorter in width, to allow for a 5mm clearance gap at both ends for safe movement, ideal for the direct replacement of 1000 and 1200mm width cabinets. The module has a reduced depth of 15mm to accommodate splashbacks and wall tiles.

Electric floor standing systems or Manual wall mounted variations are also available.

### Key benefits:

- Right hand mini kitchen module with 300mm of manual height adjustment, 730-1030mm above the floor
- Built-in gas spring in the support legs facilitates height adjustment, with a locking pin
- Pull out the locking pin, adjust the height in 25mm increments with the help of the gas spring. Lock the position with the locking pin
- The wall mounted legs are concealed by 2x matt white sliding cover panels with 2x dark grey coloured steel end plates
- Tilt able worktop plane for adjustment
- Full extension drawers can be added (except; below the hob) as a factory fitted option - (Contact us if required)
- Range of widths 990 and 1190mm to suit standard kitchen base unit spaces: 1000 and 1200mm
- The modules are 10mm shorter in width to allow for a 5mm gap both sides of the unit for the up/down movement

- Adjustable depth 576-606mm including the Alu. front to suit adjoining cabinets and worktops
- 100mm free space below the foot of each leg for services
- Quick solution, top frame supplied pre-assembled for fast site installation
- White Powder Coated RAL 9003 aluminium fascia front with plastic end caps
- ESFS stainless steel worktop with one right hand 120mm deep shallow bowl sink, overflow and flexible waste kit
- Insulated underside of the sink bowl to prevent scalding of users knees/legs
- Customizable cut-out, to suit your 2 - zone electric cooking hob (do not fit gas hobs)
- Optional Granberg FM Mattsson (FMM) kitchen monobloc mixer tap with 190mm easy reach lever and swivel spout that can be adjusted to 60°, 85°, 110°, 360° or fixed
- Pair of flexible Water Hoses 2-pack, 3/8", length 500mm with Tap connectors for FMM taps

**Optional choice of tap style:**

- - 60210 FMM Inc. dishwasher shut off valve (Not WRAS approved)
- - 60211 FMM Excl. dishwasher shut off valve (Not WRAS approved)
- All components available separately

**Mini Kitchen Module 6380-ESFS Right includes:**

- Wall mounted Manulift 6380 with 2x legs
- Built-in gas spring in the support legs facilitates height adjustment, with a locking pin
- 2x 12mm matt white melamine cover panels hide service installations under the worktop
- White aluminium front fascia
- Smooth stainless steel worktop/drying area with raised perimeter
- Brushed aluminium rear edge trim
- ESFS worktop with one right hand 120mm shallow depth sink bowl, shallow trap, strainer waste and a flexible drain hose
- Optional choice of Granberg FMM Mixer tap with long lever with or without dishwasher cut-off valve, and flexible water hoses
- Right hand customizable cut-out, to suit your electric cooking hob

**Recommended accessories:**

- Full extension, push-to-open integrated drawers
- Cutlery tray
- Mini cabinet on wheels
- FMM long lever kitchen mixer taps, tap hole cutter and flexible hoses
- 2 Zone cooking hob - Please contact us for prices for Neff and other brands

**Technical details:**

- Occasional height adjustment: Manually adjustable by 300mm (730 - 1030mm) in 25mm increments
- Built-in gas spring in the support legs facilitates height adjustment, with a locking pin
- Pull out the locking pin, adjust the height in 25mm increments with the help of the gas spring. Lock the position with the locking pin
- Max. distributed load / Lifting force: 100kg (220lbs)
- Frame depth: 576 - 606mm from the wall (Incl. front)
- Tilt able worktop plane for adjustment
- Front height: 103mm
- All fittings for assembly supplied wall fixings are not included
- Space to adjoining wall / cabinet side (mm): 5
- Space to wall (for tiles): 15mm
- Tiling: From 700 mm above the floor (alternatively tile down to floor level)
- Worktop frame Material: Aluminium frame

- ESFS sink: Smooth 1mm stainless steel sheet
- Bowl size: 293mm width x 400mm depth x 120mm deep
- Shallow trap, strainer waste and a flexible drain hose

**2-zone Hob cut-out (The hob shown in images is not included):**

- Inset by 50mm from the right-hand end of worktop
- Pre-cut to your specified dimensions
- Inset from the front by 50mm
- Specify your Width x Depth (mm), as per your hob manufactures installation instructions

**Stainless steel worktop:**

- Hygienic and wear-resistant drying area
- Smooth 1mm stainless steel sheet with a raised edge perimeter
- The underside of the stainless-steel worktop is supported by a fully glued MDF board
- Brushed aluminium rear edge strip
- Overall thickness of worktop: 30mm

**Warranty:**

- 2 year manufacturer warranty

**Please note:**

- Due to the custom nature of this product, it is made-to-order and is therefore non-returnable
- The Tap hole is not pre-drilled
- The cover panels must be removed to allow for height adjustments to be made

## Additional Information

---

Manufacturer	Granberg
Mounting / Model	Mini Kitchen Module
Max. Load (kg / St)	100 / 15.7
Method of Operation	Manual - Gas Strut Legs
Height Adjustment (mm)	300
Mounting	Wall Mounted