



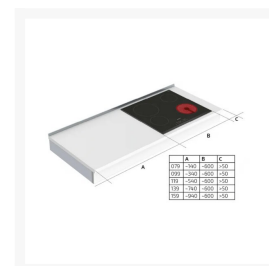
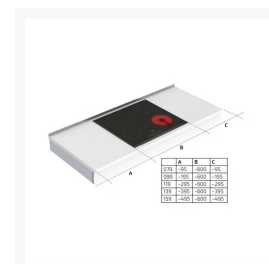
Independent 4 Life

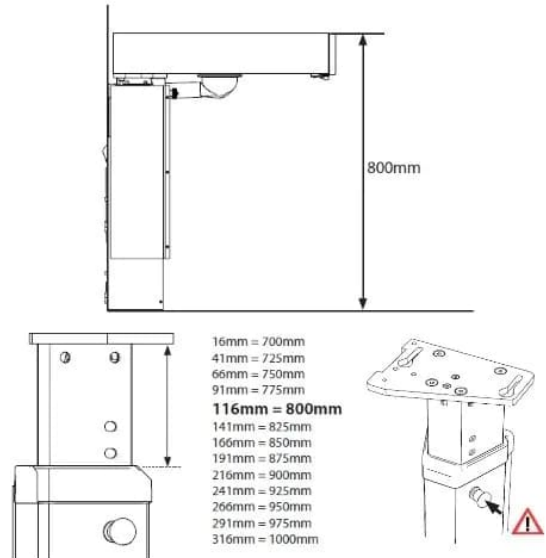
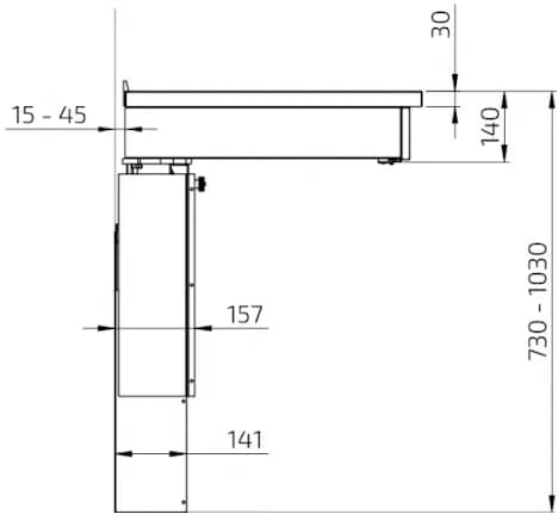
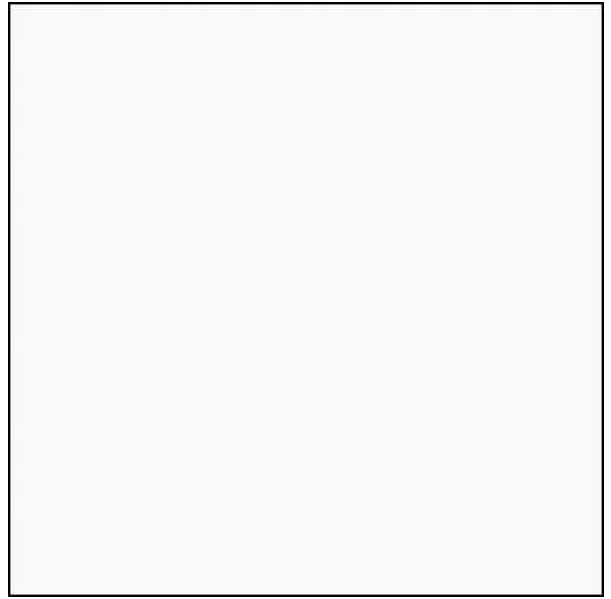
# Granberg Wall Mounted Manual Workbench Module 6380-HA-CT - Choice of Widths 790-1590mm

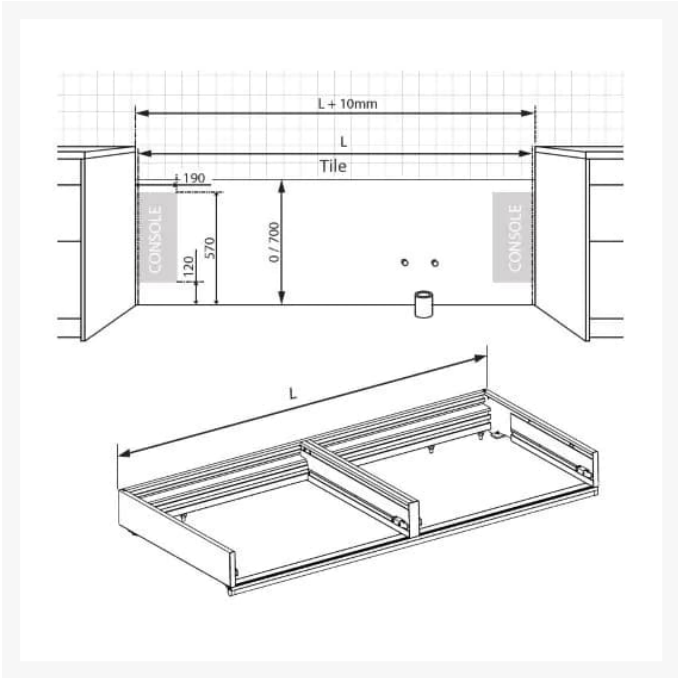
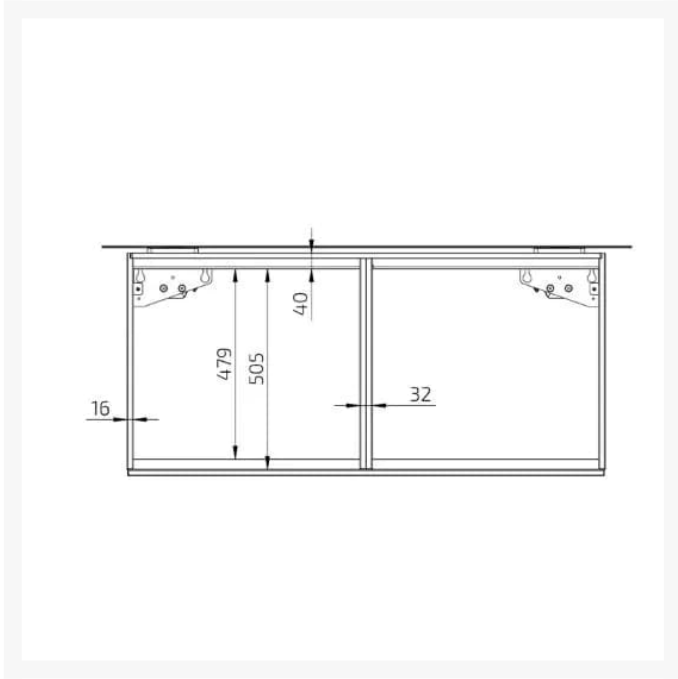
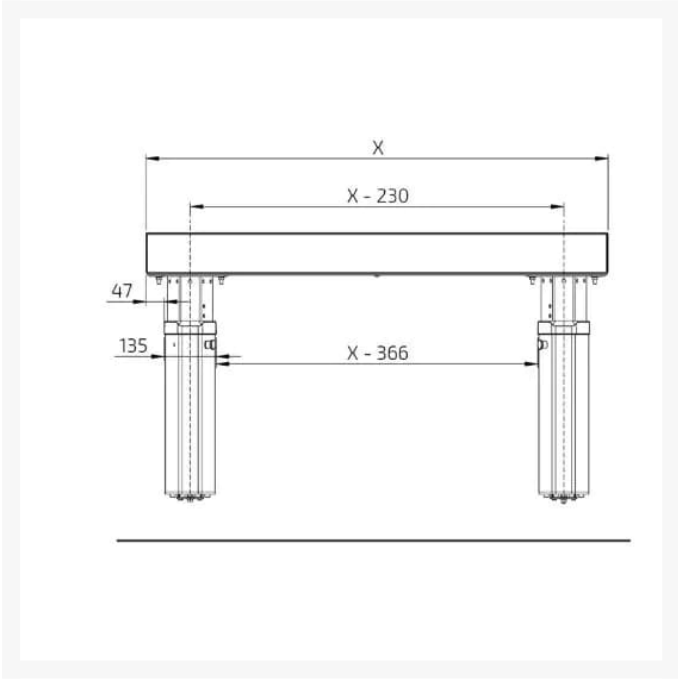
£1,812.00 Inc. VAT

Product Code: 6380HA-CT

## Product Images







## Product Options

---

Frame Width (mm)	Price Inc. VAT
790	£1,812.00
990	£1,906.80
1190	£2,448.00
1390	£2,540.40
1590	£2,635.20

## Description

---

Granberg Workbench module 6380HA-CT, wall mounted with 300mm of height adjustment by gas strut legs, with a 30mm White laminate worktop.

Ideal for use as a workbench, a 2 or 4 zone induction cooking hob can be inset into the worktop (please note Gas hobs are not recommended).

For occasional height adjustments. Height adjustable range of 300mm, in increments of 25mm. The built-in gas spring in the support legs facilitates height adjustment, with a locking pin.

Pre-fitted White front fascia, the rear cover panels are easy to fit and hide the legs and services.

Compatible with any kitchen manufacturer this complete manual worktop lifting system is easy and quick to install.

The modules are manufactured 10mm shorter in width, to allow for a 5mm clearance gap at both ends for safe movement, ideal for the direct replacement of 1200 to 1600mm width cabinets. The module has a reduced depth of 15mm to accommodate splashbacks and wall tiles.

Electric floor standing systems or Manual wall mounted variations are also available.

### Key benefits:

- Worktop module with 300mm of manual height adjustment, 700-1000mm above floor, plus the thickness the 30mm worktop
- Built-in gas spring in the support legs facilitates height adjustment, with a locking pin
- Pull out the locking pin, adjust the height in 25mm increments with the help of the gas spring. Lock the position with the locking pin
- Worktop finished with a brushed aluminium rear edge trim
- The wall mounted legs are concealed by 2x matt white sliding cover panels with 2x dark grey coloured steel end plates
- Tilt able worktop plane for adjustment
- Full extension drawers can be added (except; below a hob) as a factory fitted option - (Contact us if required)
- Range of widths 790, 990, 1190, 1390 and 1590mm to suit standard kitchen base unit spaces: 800, 1000, 1200, 1400 and 1600mm

- The modules are 10mm shorter in width to allow for a 5mm gap both sides of the unit for the up/down movement
- Adjustable depth 576-606mm including the Alu. front to suit adjoining cabinets and worktops
- 100mm free space below the foot of each leg for services
- Quick solution, top frame supplied pre-assembled for fast site installation
- White Powder Coated RAL 9003 aluminium fascia front with plastic end caps
- All components available separately

**Workbench 6380HA-CT includes:**

- Wall mounted manual worktop lift 6380 with 2x legs
- Built-in gas spring in the support legs facilitates height adjustment, with a locking pin
- 2x 12mm matt white melamine cover panels hide service installations under the worktop
- White Powder Coated RAL 9003 aluminium 103mm fascia front with plastic end caps
- Worktop décor - K1040 Un 30mm White Laminate
- Brushed aluminium rear edge strip

**Recommended accessories:**

- Full extension, integrated drawers with a push-to-open function
- Cutlery trays
- Power Switch
- 2 Button multi-compartment frame
- Electric cooking hob
- Mini cabinet on wheels

**Technical details:**

- Occasional height adjustment: Manually adjustable by 300mm (700 - 1000mm excl. worktop) in 25mm increments
- Built-in gas spring in the support legs facilitates height adjustment, with a locking pin
- Pull out the locking pin, adjust the height in 25mm increments with the help of the gas spring. Lock the position with the locking pin
- Max. distributed load / Lifting force: 100kg (220lbs)
- Frame depth: 576 - 606mm from the wall (Incl. front)
- Tilt able worktop plane for adjustment
- Front height: 103mm
- All fittings for assembly supplied, wall fixings not included
- Space to adjoining wall / cabinet side (mm): 5
- Space to wall (for tiles): 15mm
- Tiling: From 700 mm above the floor (alternatively tile down to floor level)
- Worktop frame Material: Aluminium frame

**Hob Module 6380HA-S4 - 4-zone Hob space planning: (The hob shown in images is not included):**

- Inset by a minimum of 50mm from the left or right hand ends
- Inset from the front by 50mm
- Please refer to your hob manufactures installation instructions
- The hob cut-out should be made on site to suit the cooking hob dimensions
- Not suitable for gas hobs

**Warranty:**

- 2 year manufacturer warranty

**Please note:**

- Due to the custom nature of this product, it is made-to-order and is therefore non-returnable
- The hob space is not cut out
- The cover panels must be removed to allow for height adjustments to be made

## Additional Information

---

Manufacturer	Granberg
Mounting / Model	Wall / Workbench Module
Max. Load (kg / St)	100 / 15.7
Method of Operation	Manual - Gas Strut Legs
Height Adjustment (mm)	300
Mounting	Wall Mounted