



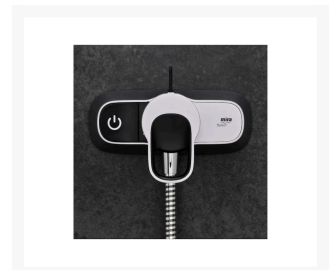
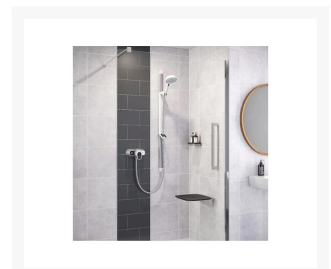
Independent 4 Life

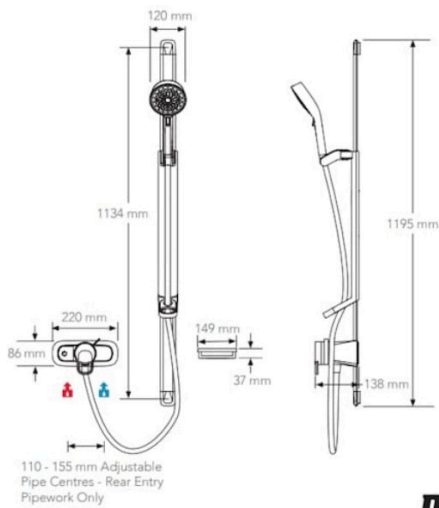
Mira Select Flex Exposed Mixer Shower

£505.20 Inc. VAT

Product Code: 31999W

Product Images





Description

The Mira Select Flex shower combines stylish looks with the perfect mix of safety features and accessibility. It includes easy-to-handle levers with highly visible graphics, a 2000mm hose and a 1000mm slide bar.

Key benefits:

- Thermostatic temperature stability
- Thermostatic shutdown takes just 2 seconds
- Extra-long slide bar provides user flexibility for showering in standing or seated positions
- Slide bar low-friction holder makes one-handed height adjustment easy
- Shower head offers three spray modes at the push of a button
- Removeable shower plates for ease of cleaning
- Perfect for users with limited hand dexterity or visual impairments
- Audible feedback, high contrast graphics with anti-reflective finish makes showering easier for visually impaired users
- Easy to grip loop-handle lever for temperature control and flow rate adjustment
- Easy to use large shower actuation button
- Soap dish tray is removeable for easy cleaning
- Wall-mounted soap dish included
- Replaceable Cartridge make it easier to maintain
- Filters have a long life improve the ease of maintenance

Approvals:

- TMV2 scheme approved
- TMV3 scheme approved
- WRAS approved
- Developed in conjunction with the Royal National Institute for the Blind

Technical details:

- Rear water entry point
- Inlet connections: 15mm compression
- Outlet connections 1/2" BSP Male Flat Face
- Supports reversed inlets
- Multi-fits over 110 - 153mm pipe centres
- Water entry points and fixing holes are covered by a valve shroud
- Cold water range: 5 - 25°C
- Hot water range: 60 - 65°C
- Min. maintained pressure: 0.1 Bar
- Max. maintained pressure 5 Bar
- Max. static pressure: 10 Bar

Warranty:

- 5 year warranty

Additional Information

Manufacturer	Mira
Shower Type	Direct Fed (Mixer)
Shower Features	Thermostatic Mixers, Adjustable Riser Rail, Flexible Hose and Handset, Shower Head Holder
Fixings	Exposed
Control	Manual Lever, Manual Dial
Hose Length (mm) / Application	2000 / Shower Hose
Water Pressure	Low, Normal Mains, High Pressure Systems
Technologies	Thermostatic Control, Phased Shutdown, Safe Touch
Approvals	RNIB Mark, WRAS Approved, TMV2 (Domestic Sector), TMV3 (Healthcare Sector)