



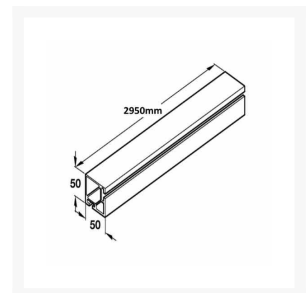
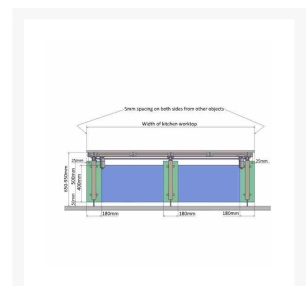
Independent 4 Life

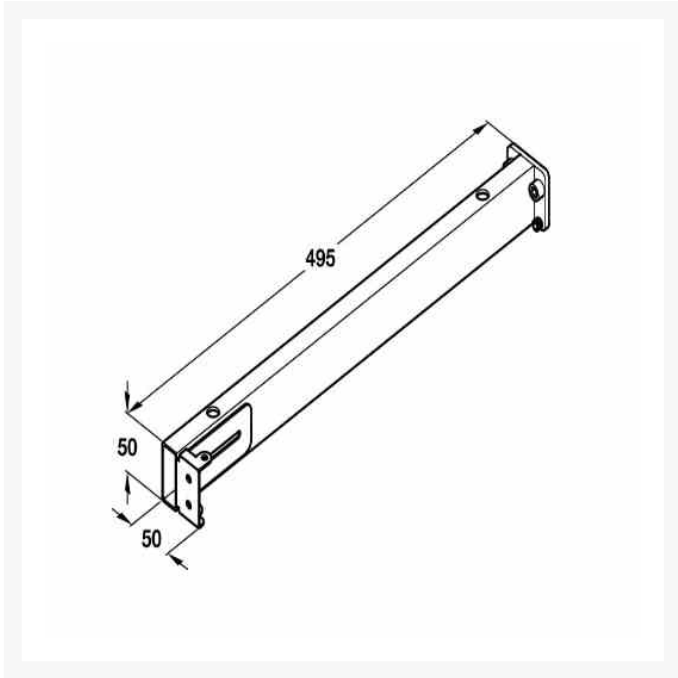
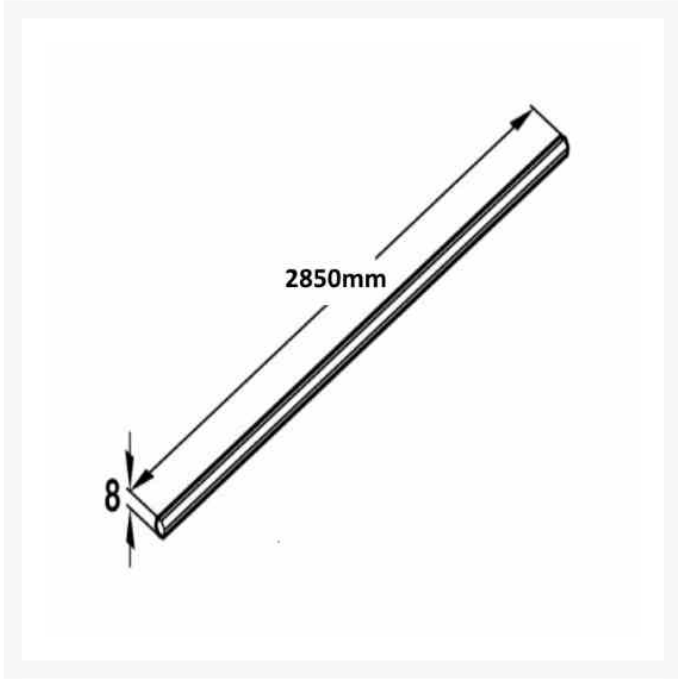
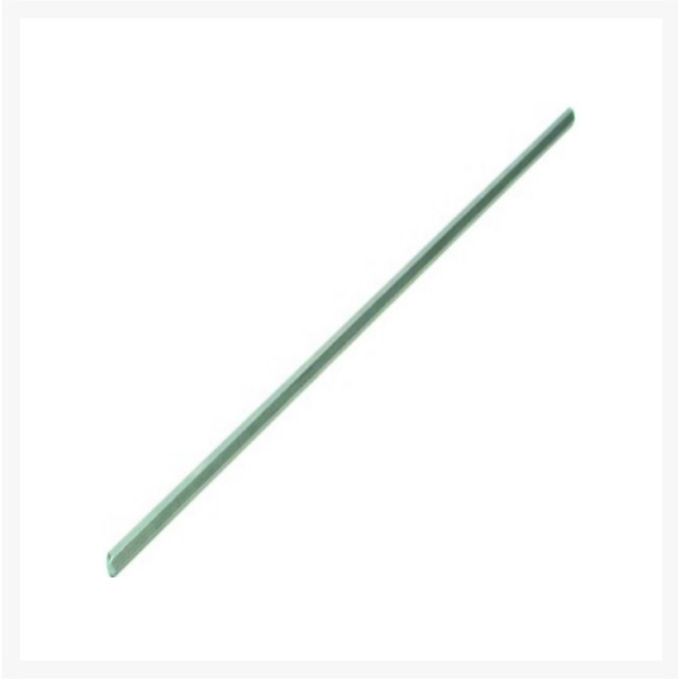
# Ropox FlexiElectric Height ADJ Worktop Frame Assembly 2500-3000mm

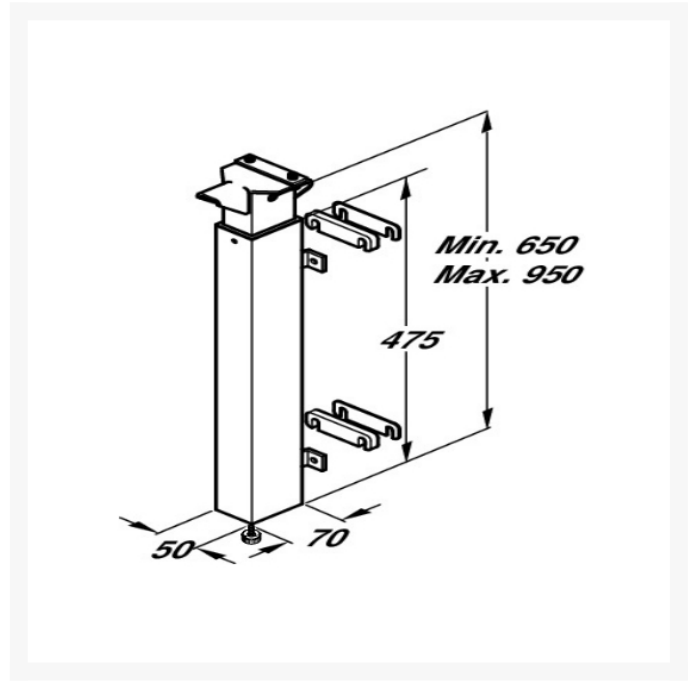
£4,486.84 Inc. VAT

Product Code: 4G4REK4

## Product Images







## Description

---

Ropox self assembly FlexiElectric worktop frame with 650 to 950mm vertical height adjustment via two quiet 24V DC electric motors.

A cost effective way of purchasing this system compared to the ready assembled units, they are also ideal if you have limited space to manoeuvre an assembled frame.

- Ideal for single person and/or multiple users of the kitchen where regular adjustment is required
- Ideal for installing an electric hob or kitchen sink (requires flexible plumbing kit)
- Standard RAL 9010, matt white
- 150kg maximum load - evenly distributed

- Electrical adjustment with two low-noise 24V motors / 2.5A / 50 Hz
- Frame vertically height adjustable from 650 - 950mm
- For worktop depths 600 - 620mm
- Speed - Approx. 12mm / sec
- Lifting time stroke 30mm : Approx. 30 sec.
- Supplied with (Green/Black) colour coded legs - See Page 6 of the installation instructions for more information.

**Kit includes:**

- 1x Wall Bar Profile (2950mm length) and Spindle (2850mm length)
- 3x Support Legs
- 7x Support Arms
- 2x Motors with 3000mm cables and Control Unit
- 1x Standard Mini Control Switch with Up/Down arrows (Width x Height) 30 x 60mm
- The Standard Mini Control Switch includes 1500mm cable

**Available separately:**

- Support feet - to be used if the supporting wall is of insufficient strength
- Height adjustable leg covers - for use with or without support feet
- Flexible plumbing kit
- Safety stop strip - highly recommended, prevents crushing or accidental entrapment. Position along the front edge and sides
- FlexiCorner Bracket Set - joins 2x Flexi height adjustable worktop frame assemblies together

**Please note:**

- The wall bar and spindle will have to be cut to your required length - the wall bar profile should be 50mm shorter than worktop length
- Worktop, wall fixings and front fascia for mounting on the support arms are not included
- Safety stop strips are not included - Available in lengths of 1600, 2400, 3200 and 4200mm

**Warranty:**

- 1 Year Manufacturer Warranty

## Additional Information

---

Manufacturer	Ropox
Mounting / Model	Wall / FlexiElectric
Max. Load (kg / St)	150 / 23.5
Method of Operation	Electric - Push Button
Height Adjustment (mm)	300
Mounting	Wall Mounted, Floor - Optional Feet