



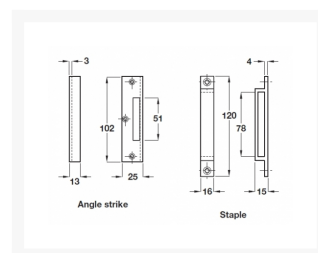
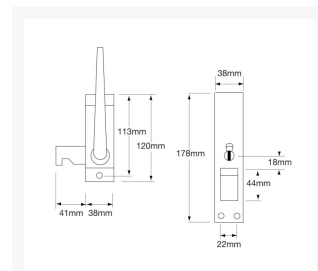
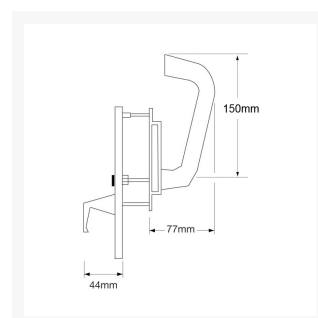
Independent 4 Life

# Union Touch Clean Disabled Door Facility Furniture, 150mm Lever - Non-handed

£47.81 Inc. VAT

Product Code: 980.08.000

## Product Images



# Description

---

With a large 150mm length satin aluminium lever, this door lock set is designed for use on disabled toilets to suit inward or outward opening swing doors or sliding doors.

## Application:

- Non-handed so suitable for left and right handed doors
- Designed for toilet / bathroom doors where ease of operation is desired
- Suitable for hinged and sliding doors
- Suitable doors between 20 to 44mm thick
- Surface mounted
- Bolt-through fixing - can be fitted directly to cubicle or flush panel door
- Exterior handle pull may be fitted at 90°, 180°, 270° or 360°

## Specification:

- Supplied with large lever handle, indicator with emergency release, angle strike, staple, bolt through fixings
- AS finish with Touch Clean anti-bacterial coating
- Material: Aluminium with black plastic moulded end caps
- Lever mechanism
- Locking bolt connected directly to lever handle at 90° to facilitate direction change
- Vertical position of lever handle bolts door that can be seen by occupant
- Lever handle travel limited to 30° by screw through centre of backplate - can be increased to 90° by removing screw
- Red and white occupancy signal
- Coin operated emergency release
- Lever length (mm): 150
- Handle Projection (mm): 77
- Plate Projection (mm): 44
- Bolt Length (mm): 41
- Minimum Door thickness (mm): 20
- Maximum Door thickness (mm): 44

## Finish:

- Anodised silver
- Touch clean anti-bacterial coating

## Standards:

- Assists in fulfilling duties under the Equality Act
- Satisfies recommendations of BS8300 and Approved Document M (ADM)

## Additional Information

---

Manufacturer

Union