



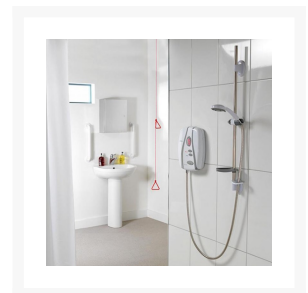
Independent 4 Life

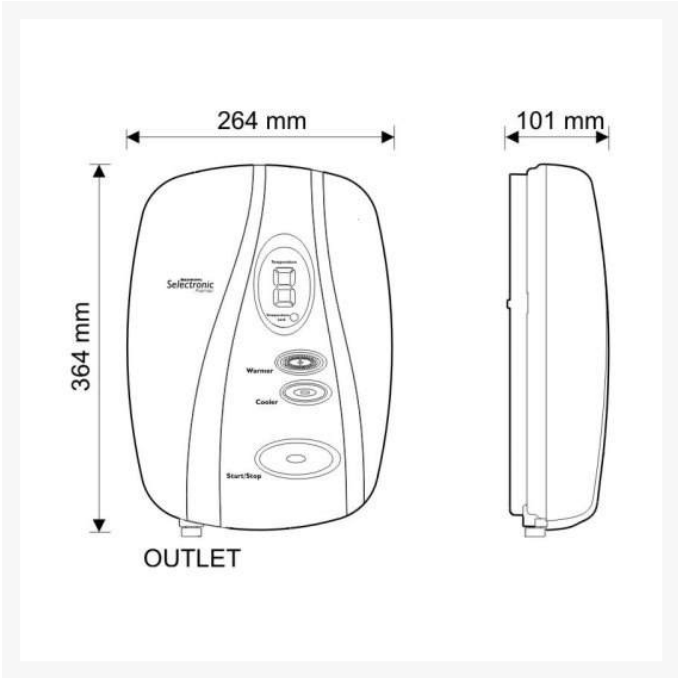
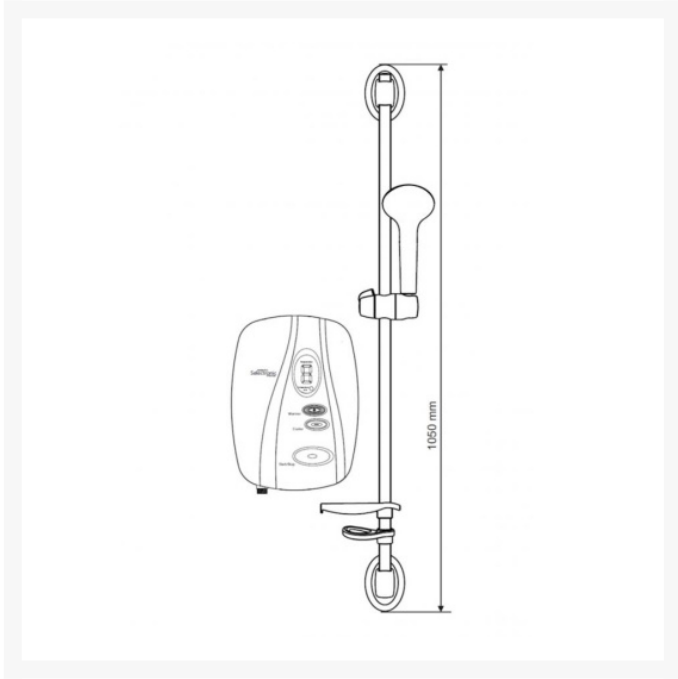
Redring Selectronic Premier WPC 9.5kW Shower - For use w/ Waste Water Pumps

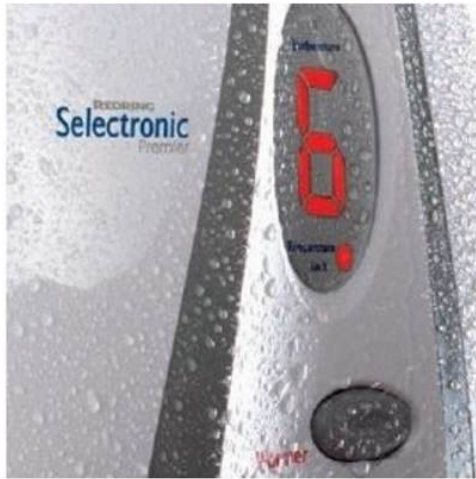
£489.60 Inc. VAT

Product Code: RSELP95WPC

Product Images







Description

Redring Selectronic Direct Pump Link Premier WPC 9.5kW instantaneous thermostatic high-performance electric shower, with accurate control technology and advanced control features for safe showering. The WPC model feature a wired and RF wireless module connectivity, to automatically activate level access waste pumps (order separately).

With accurate temperature control to 0.50°C, on installation the temperature of the shower can be locked at either 40, 41 or 43°C that can be overridden for a warmer shower automatically reverting to the locked setting. Ideal for standing and seated users with the 1000mm riser rail and a 2m anti-kink shower hose.

This shower is made in Britain, RNIB endorsed and approved by BEAB CARE and WRAS.

Widely used in adapted level access showers and wet rooms, this thermostatic shower has been designed to meet the all-inclusive needs of end users and carers.

Featuring a large LED digital temperature display and easy to use tactile coded push button controls, with the added benefit of audible confirmation.

This innovative shower is easy to use and one of the safest care showers on the market.

Key benefits:

- A rated for energy efficiency
- Compatible with all wired pumped systems for shower trays and level access wet rooms with vinyl or tiled flooring including:
 - - Whale Instant Match
 - - Whale Switch Connect (Automatic)
- Large one touch, easy-to-press Start/Stop button
- Large LED illuminated temperature display with locked temperature function
- Raised easy push tactile control buttons with audible and visual indicators to assist the visually impaired
- High precision thermostatic control, accurate within 0.50°C
- 3 temperature locked settings 40, 41, 43°C (set on installation) with an override function
- The sequenced override function allows for a warmer shower automatically reverting to the locked temperature setting
- Phased shutdown
- Automatic shutdown after 30 minutes of inactivity
- Chrome effect 1000mm adjustable riser rail, adjustable showerhead holder and soap dish
- Riser rail 250kg grab rail duty
- Colour-coded shower head and clamp for visibility
- Choice of 5 spray patterns from the rub clean shower head with 2000mm flexible anti-kink shower hose
- Contoured surfaces and edges for safety with a matt anti-glare finish within grey stripes
- Inclusively designed RNIB product
- BEAB Care Mark approved product ensures stable outlet water temperatures under normal supply variations
- Selected at installation, the shower can be set-up with Eco water save (max 6l/min) and power save functions
- Featuring multiple heating elements for best in its class limescale tolerance
- Ideal for retrofit, the showers footprint covers most make of shower, eliminating the need to re-tile
- Fast and easy installation with one button commissioning

Dimensions:

- Depth (mm): 101
- Height (mm): 364
- Width (mm): 264
- Weight (kg): 4.2

Technical details:

- A flow transducer allows operation from mains pressure and overhead gravity tanks with positive head from 0.7 bar to 10 bar (10 to 145 psi)
- Cable entries: Right hand electrical connection only
- Pipe entries: Right hand side - top, bottom or rear entry points
- Water connection: ½" BSP compression fittings
- IP rating: IPX5

- Max heat setting: 9.5kW
- kW loading at 240V: 9.5
- Recommended cable size: 6-10mm²
- Recommended fuse rating: 40 Amps
- Max. Noise Level (dB(A)): 15

Warranty:

- 5-year warranty
- Warranty based upon correct installation and appropriate application
- Comprehensive technical after-sales support

Additional Information

Manufacturer	Redring
Shower Type	Electric
Shower Features	Shower Control, Fixed Riser Rail, Flexible Hose and Handset, Waste Water Pump Link
Fixings	Exposed
Control	Push Button
Hose Length (mm) / Application	2000 / Shower Hose
Water Pressure	Normal Mains, High Pressure Systems
Technologies	Thermostatic Control, Phased Shutdown, Anti-limescale, Wireless / Wired Pump Control
Approvals	BEAB Care Mark, BEAB Approved, RNIB Mark, WRAS Approved