



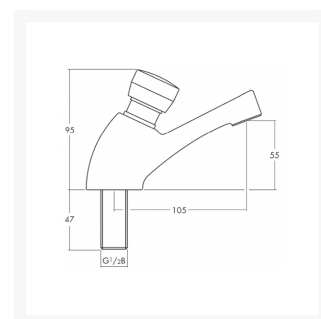
Independent 4 Life

# Inta Non-Concussive Basin Mounted Standard Tap (Pair)

£65.82 Inc. VAT

Product Code: NC160CP

## Product Images



## Description

These basin mounted push taps are designed for use with the Inta range of thermostatic mixing valves. With manual operation the tap functions for a period of time and then closes automatically. This makes the taps ideal for use in unsupervised areas such as sports changing rooms and washrooms. It is also perfect for use as a water economy device.

[www.independent4life.co.uk](http://www.independent4life.co.uk) | [info@independent4life.co.uk](mailto:info@independent4life.co.uk) | Tel: 0800 500 3001 | VAT No: 942447711

EORI GB942447711000

The simple operation of the push taps enables users with limited mobility to use the facility.

**Key benefits:**

- High polished chrome with brass body
- Aerated outlet
- Simple operation
- Closes automatically - improves water economy
- Non concussive operation

**Approvals:**

- WRAS approved

**Technical details:**

- Min operating pressure: 0.2 bar dynamic
- Max operating pressure: 10 bar static
- Timed flow at 1 bar: 15 seconds ± 3
- Max basin thickness: 26mm
- Connections: G ½ " BSP
- Cartridge: NC300CP

**Warranty:**

- 1 year manufacturer warranty

## Additional Information

---

Manufacturer	Inta
Application	Basin
Tap Style	Pillar Taps
Mounting	Basin
Operation	Push
Non-concussive	Yes
Vandal Resistant	No
Water Pressure	Low, Normal Mains, High Pressure Systems
Approvals	WRAS Approved
Technologies	TMV a Recommended Extra