



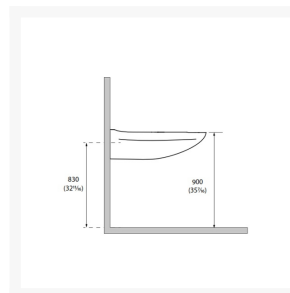
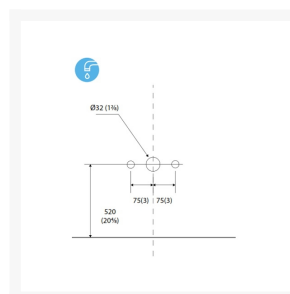
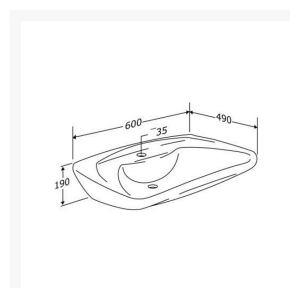
Independent 4 Life

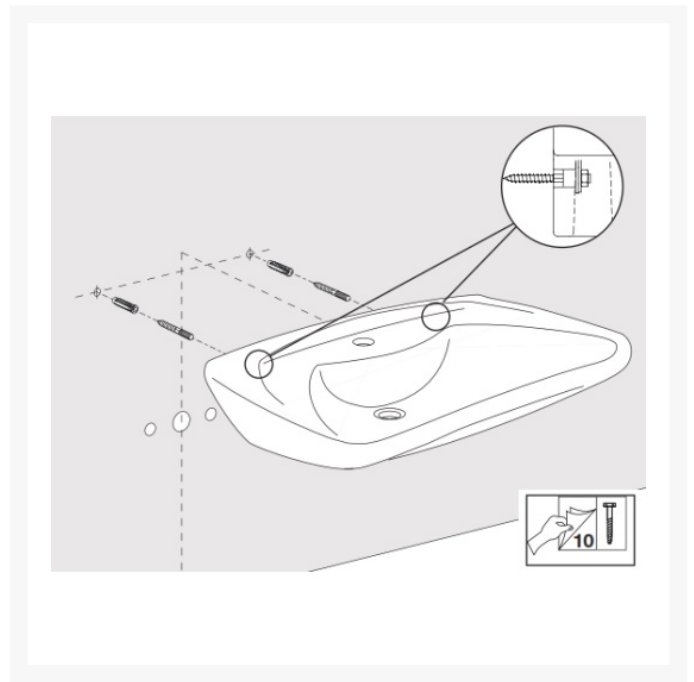
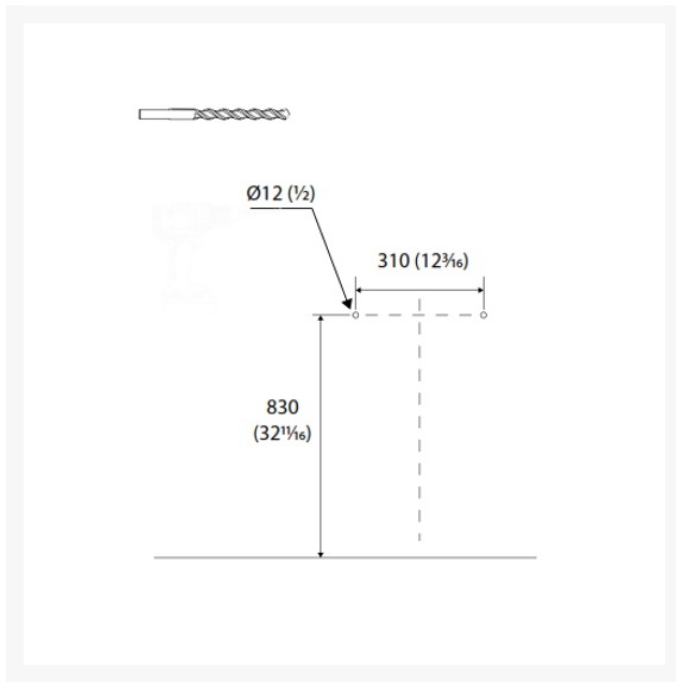
# Pressalit MATRIX CURVE Ergonomic Washbasin, No Overflow - 600x490mm

£426.00 Inc. VAT

Product Code: R2051000

## Product Images





## Description

Pressalit MATRIX Curve ergonomic washbasin with tap hole and no overflow.

The concave front edge stabilises both standing and seated users.

The rounded edges are also comfortable to hold and rest against.

### Key benefits:

- Ergonomic design stabilises standing and seated users
- Sleek, rounded design facilitates easy cleaning
- Shallow enough to give seated users the leg-room they need
- Suitable for height adjustable installations
- Supplied with plug and chain
- With tap hole  $\text{Ø} 35\text{mm}$  and without overflow
- Can be mounted on height adjustable brackets from the Pressalit Value, Plus and Select ranges
- Can be wall mounted
- Drain fitting with strainer waste grate - Do not fit the Plug & Chain supplied
- Easy to clean

### Technical details:

- Width (mm): 600
- Front-to-back depth (mm): 490
- Overall height (mm): 190
- Centre-to-centre of bolt fixings (mm): 280
- Tap hole diameter (mm): 35
- Weight (kg): 16.4
- Maximum load (kg): 200

### Warranty:

- 5 year manufacturer warranty

## Additional Information

Manufacturer	Pressalit
Range / Model - Type	VALUE / R1210 - Man., VALUE / R1214 - Man., PLUS / R4550 - Man., PLUS / R4580 - Man., PLUS / R4650 - Gas, PLUS / R4680 - Gas, PLUS / R4681 - Elec., PLUS / R4682 - Elec., PLUS / R4750 - Elec., PLUS / R4751 - Elec., PLUS / R4752 - Elec., PLUS / R4780 - Elec., SELECT / R4950 - Elec., SELECT / R4951 - Elec., SELECT / R4952 - Elec., SELECT / R4953 - Elec.
Compatible Height Adj. Bracket	Pressalit PLUS, Pressalit SELECT, Pressalit VALUE
For Washbasin Range	MATRIX Curve
Width (mm)	600
Front-to-back depth (mm)	490
Overall height (mm)	190
Overflow	No
Integrated Grabrails	No