



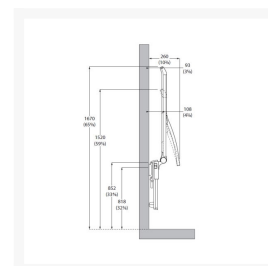
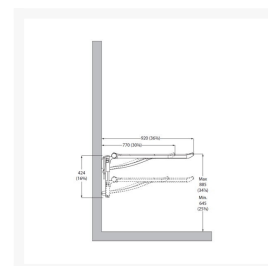
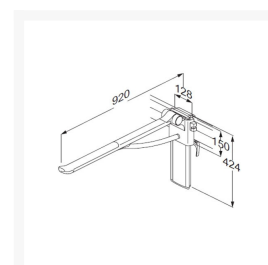
Independent 4 Life

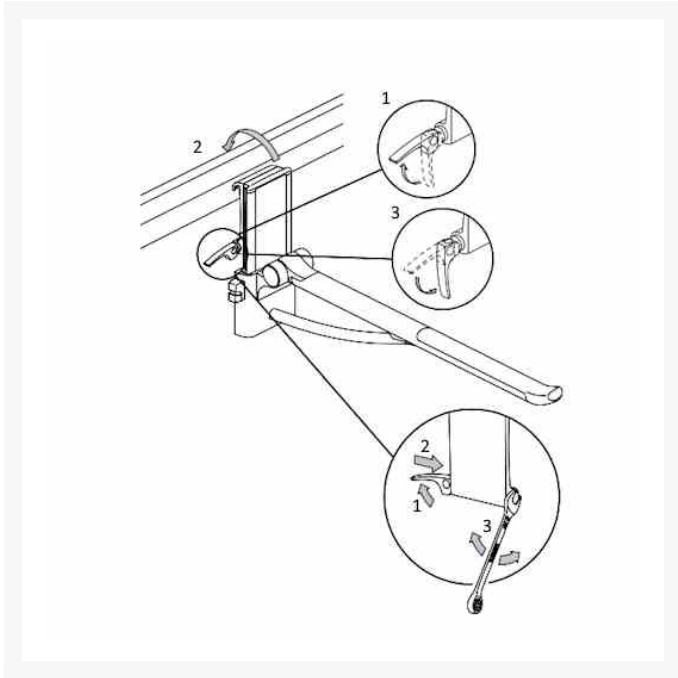
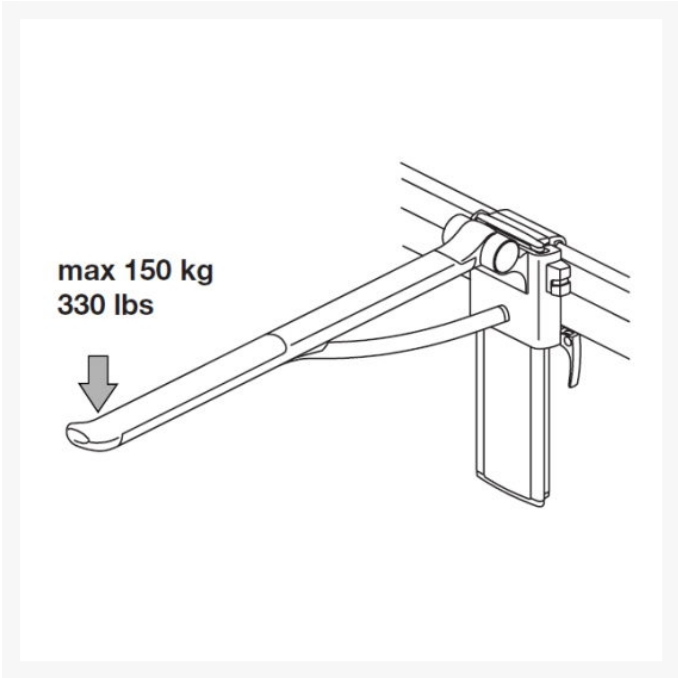
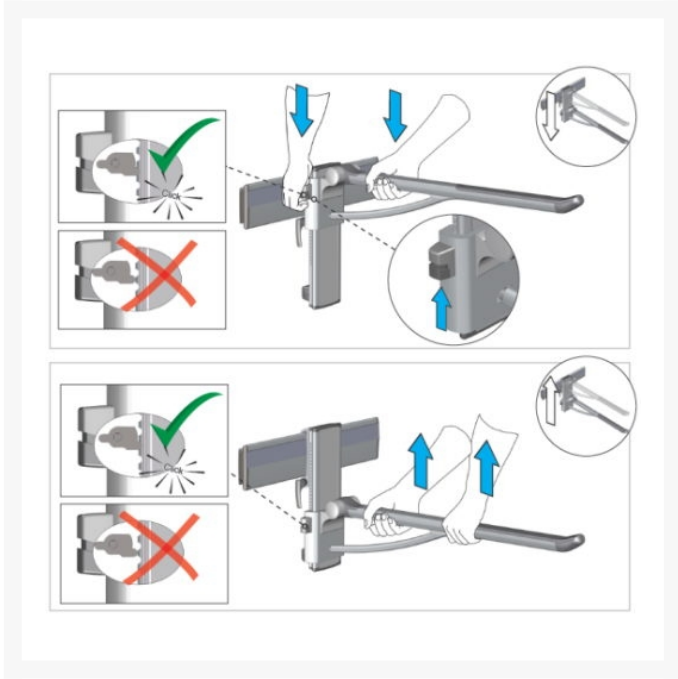
# Pressalit PLUS 850mm Counterbalanced Support Arm, Vertical Track for Horiz Track (RH operated) - Colour Choice

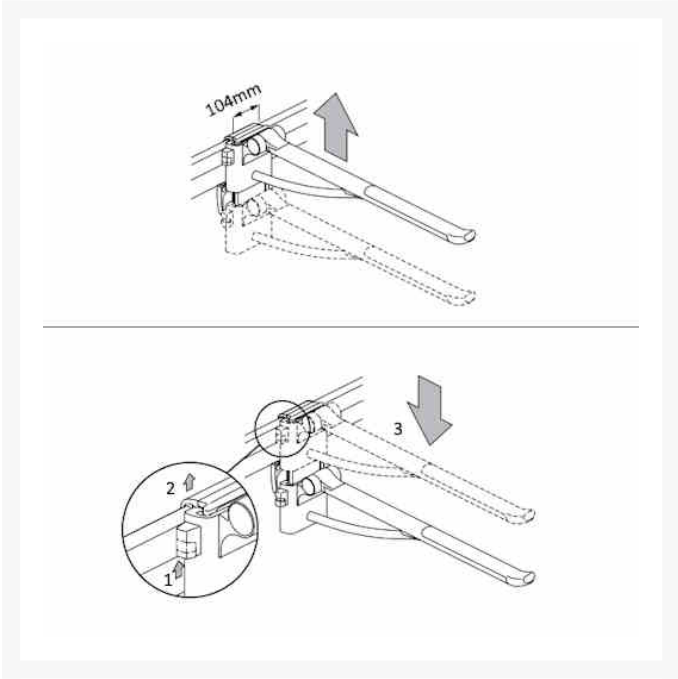
£761.40 Inc. VAT

Product Code: R391485xxx

## Product Images







# Product Options

---

Colour	Price Inc. VAT
Pressalit White 000	£761.40
Pressalit Red 035	£837.00
Pressalit Dark Blue 108	£837.00
Pressalit Anthracite 112	£761.40
Pressalit Lime Green 277	£837.00

## Description

---

Pressalit PLUS right-hand operated counterbalanced support arm with an 920mm overall offset from the wall, that can be moved sideways and the height of the arm can easily be adjusted by 240mm from 645 to 885mm.

The support arm is foldable and can easily be detached from the horizontal track (not included) without tools.

The ergonomically shaped support arm provides a sense of security for seated users while also facilitating the task of transferring to and from wheelchairs.

The support arm enables a user to rest their arms comfortably while providing optimum support when getting up and sitting down. The arm is designed so the user will recognise by feel where the support arm ends.

This support should be mounted on a PLUS horizontal wall track (not included), available in lengths 600 to 3900mm (Product code: R98xx112) mounted at the recommended height of 852mm.

Suitable for use with floor standing toilets and WC pans projecting 700mm from the wall.

### Key benefits:

- PLUS support arm, a total projection of 920mm, counter-balanced, height and sideways adjustable
- 850mm actual support arm length
- Right lever lock to prevent horizontal movement, and a right-hand side push button lock on the vertical track
- Offers maximum flexibility to suit different user requirements
- Ergonomic grip for weak hands
- Counterbalanced mechanism that prevents the support arm moving unless guided up or down
- Soft and slip-resistant material that has a warm feel
- The oval shape gives an easy and comfortable surface to lean and push against
- The end of the support arm is enlarged so that it is easier to pull forward from a sitting position
- Provides a clear sense of where the support arm ends
- Can be folded against the wall when not in use to create more room space
- The underside is shaped for the mounting of various accessories
- Products can be moved to other areas in bathroom(s)
- For indoor use in a wet environment, such as a bathroom or a washroom, in private homes, nursing

- homes and hospitals
- Doc M compliant
- Range of colours available

#### **Counterbalanced mechanism:**

- Prevents the support arm moving unless guided up or down
- For example, if you take it to 45° it will stay at 45° until you push it back up or pull it down further

#### **Technical details:**

- Right hand operated
- Anthracite grey cover plate
- Total projection from the wall (mm): 920
- Support arm length (mm): 850
- Top of rail distance from the wall when folded (mm): 93
- Inner grab distance from the wall when folded (mm): 108
- Total arm projection - Distance from the wall when folded (mm): 260
- Adjustable height 240mm when installed at the recommended height, arm at the top / bottom of the vertical track (mm): 645-885
- Vertical track length (mm): 424
- Total height of arm when folded (at recommended installation height) (mm): 1670
- Requires PLUS Wall track (not included), can be cut to size, available 600 to 3900mm
- For use with floor standing toilets and pans projecting from the wall (mm): 700
- Max. load (kg): 150
- Weight (kg): 5.23

#### **Materials:**

- Arms are primarily constructed in 10-micrometre anodized aluminium, with a non-slip gripping surface made of soft SEBS incorporating a glass-reinforced nylon core
- Hinge arm is also made of soft SEBS. Internal components and fasteners are primarily made of stainless steel
- Hinge barrel is capped with ABS polymer

#### **Warranty:**

- 5 year manufacturer warranty

#### **Manufacturer product codes:**

- R391485000, R391485035, R391485108, R391485112, R391485277

#### **Former manufacturer codes:**

- The Pressalit PLUS range has superseded several former Pressalit products
- This item has replaced: R3585, RF585, RF585112000, RF585112112, RF585112026, RF585112035, RF585112108, RF585112277
- Please check for any changes to the product specification
- Please also note that items in the PLUS range cannot be mounted onto older Pressalit wall tracks, and vice versa

## Additional Information

---

Manufacturer	Pressalit
Type	Hinged Arm Support
WC Projection (mm)	700
Mounting	Pressalit Horizontal Track, Pressalit Vertical Track
Arm Control	Counterbalanced
Adjustable	Height Adjustable, Sideways Adjustable
Length (mm)	850
Surface Finish	Soft & Slip-Resistant - "Not Cool to Touch"
Material	Aluminium
Fixings	Concealed