



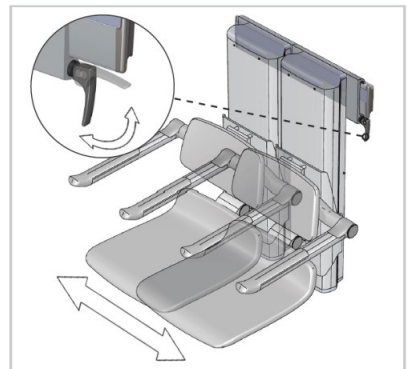
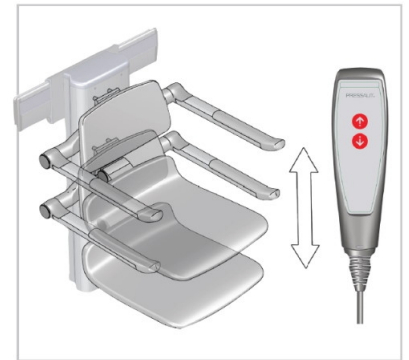
Independent 4 Life

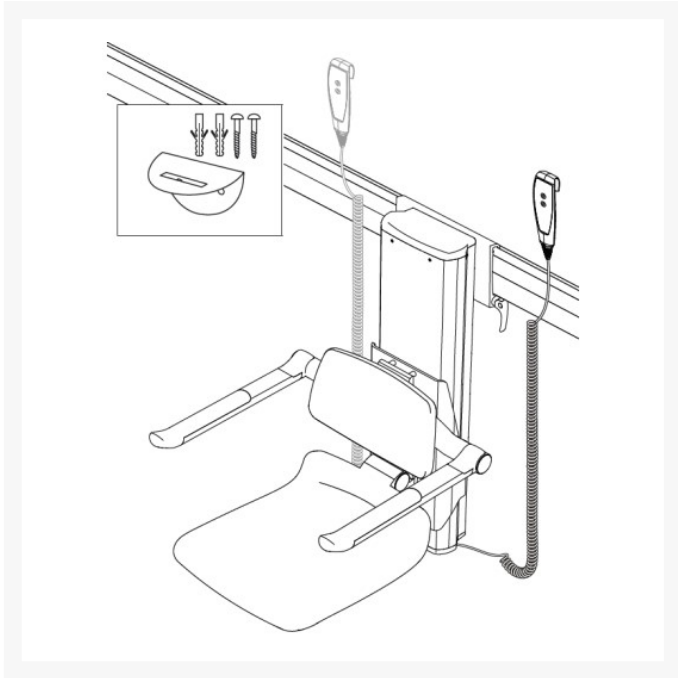
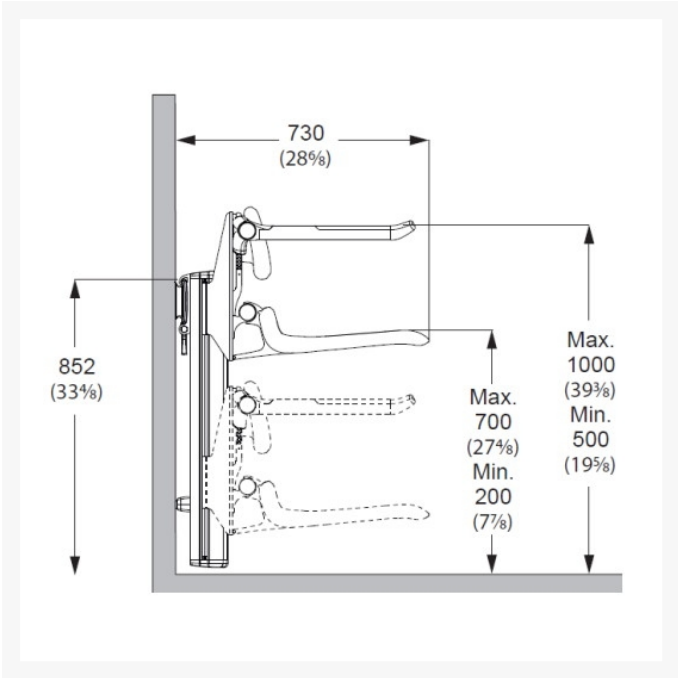
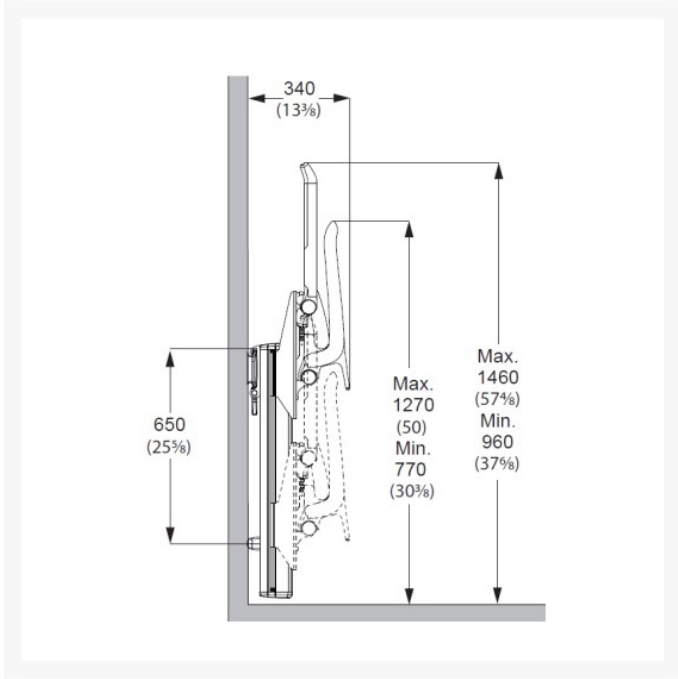
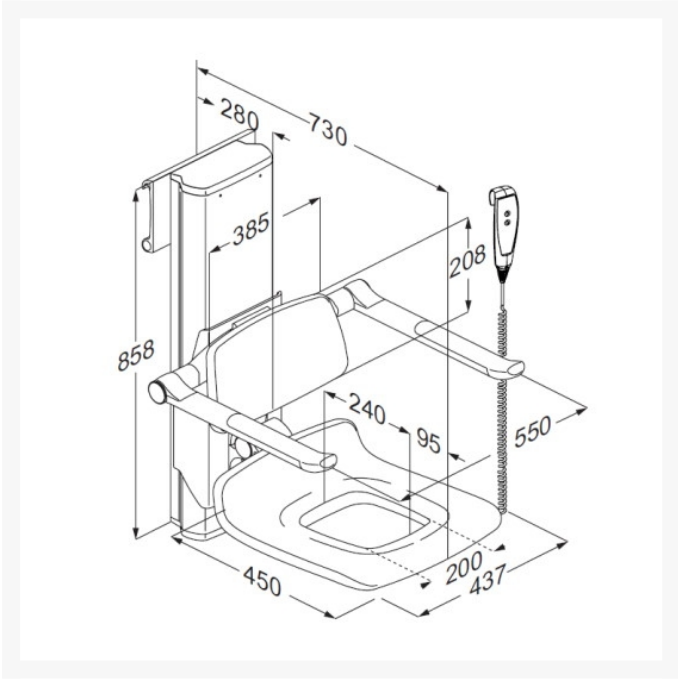
# Pressalit PLUS Aperture Shower Seat 450, Electrically Height & Sideways ADJ, Wired Hand Control - Colour Choice

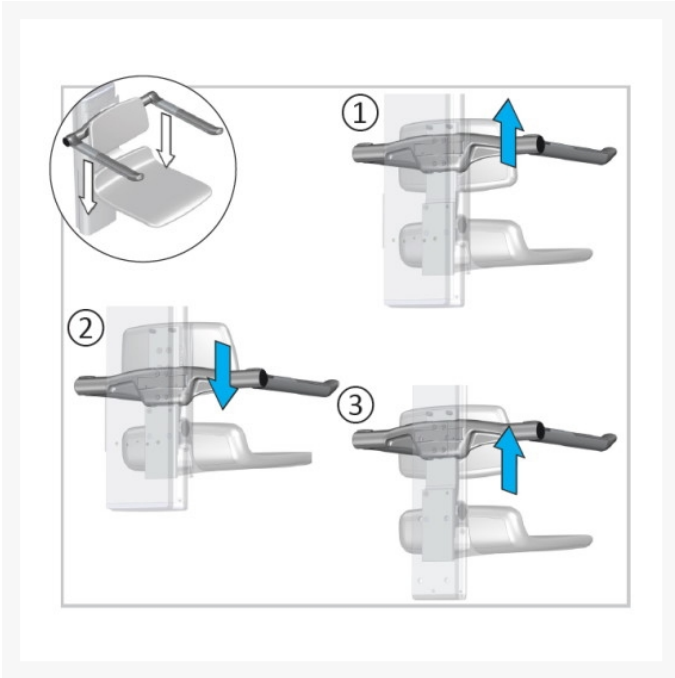
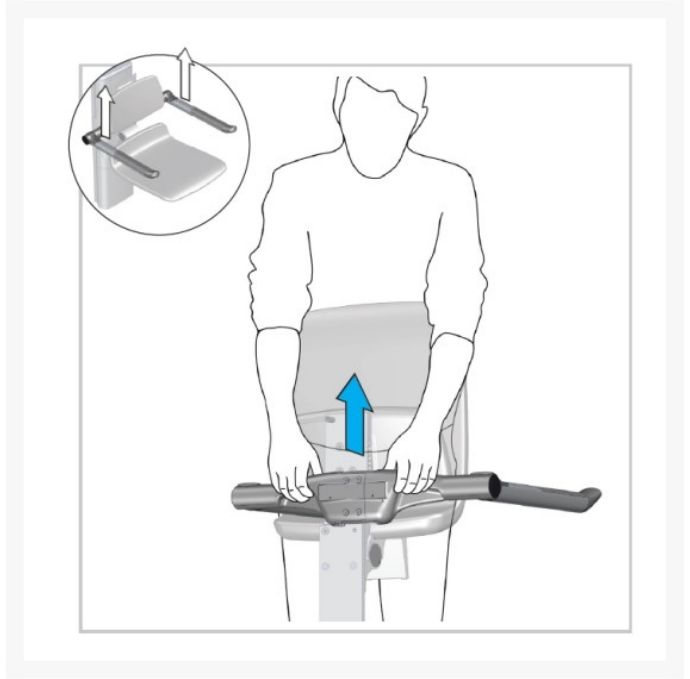
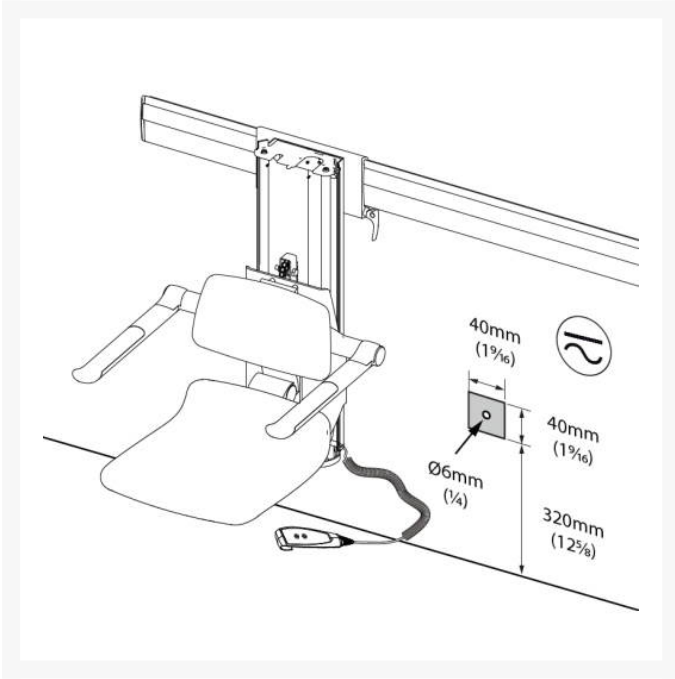
£4,625.10 Inc. VAT

Product Code: R7665xxx

# Product Images







## Product Options

Colour	Price Inc. VAT
Pressalit Anthracite 112	£4,625.10
Pressalit White 000	£4,625.10

## Description

---

Pressalit PLUS 450 aperture shower seat with a wired hand controller to adjust the seat height between 200 and 700mm, folding aperture shower seat with backrest and height adjustable armrests for mounting on the horizontal PLUS wall track (not included).

This aperture seat is powered, allowing you to raise or lower the seat at the push of a button, so the seat can easily be adjusted to a good working height for the carer while the user sits on it.

The seat with aperture, backrest and armrests can be adjusted simultaneously thanks to a safe and easy click system.

It can also be easily moved when a standing user needs to take a shower, as it folds away to free up extra space when not in use.

### Key benefits:

- Electrically height adjustable aperture shower seat by 500mm
- The armrests are independently height adjustable
- Maximum flexibility for multi-user shower rooms
- Movable and detachable without the use of tools
- For mounting on the Pressalit PLUS horizontal wall track, for manual sideways movement
- The aperture seat and armrests are foldable
- Ergonomically designed aperture seat
- The aperture seat, backrest and armrests have a soft and slip-resistant material that has a warm feel
- The armrests oval shape gives an easy and comfortable surface to lean on and push against
- Wired hand control comes with brackets for fitting to the wall
- Available in a choice of Anthracite or White

### Technical details:

- Aperture seat has a contact surface area of 450 x 437mm
- Adjustment height (mm): 500
- Projection from the wall (mm): 730
- Aperture seat height off the floor min./ max. (mm): 200 / 700
- Support arms height off the floor min./ max. (mm): 500 / 1000
- Folded projection from the wall (mm): 340
- Speed, upwards (mm/s): 5
- Speed, downwards (mm/s): 5
- Noise level (dB): 48
- Max. load of aperture seat: 150kg
- Max. load of armrests: 45kg
- Product weight (kg): 32.02

### Electrical technical details:

- Please refer to the PDF download for the installation instructions
- Mains connection (V): 230
- Mains cable length to Transformer (mm): 3000
- Transformer to Actuator (V): 24
- Cable length from Transformer to Actuator (mm): 9500
- Electrical (Hz): 50-60
- Electrical rating (IP): IPX6 (Water projected in powerful jets, from a nozzle size up to 12.5 mm - against the product from any direction shall have no harmful effects)

- Power consumption, under maximum load (W): 60
- Power consumption, on standby (W): 0.5
- Actuator (motor) - LA40 (Linak) 6000N, IPX6
- Control box - SMPS14 (Linak) IPX6
- Wired remote control - HB3 (Linak) IP66
- Upon installation the 2 pin plug must be removed and hard wired to a fused spur, as per electrical regulations

#### **Materials:**

- **Seat and backrest:** Comfortable polyurethane (PU) foam over a plywood core, seat fitted to an aluminium profile
- Covered with an in-mould coated surface protected using a clear PU lacquer
- Internal components and fasteners are primarily made of stainless steel
- The hinge barrel is capped with ABS
- **Arms:** Primarily made of 10-micrometre anodized aluminium
- Constructed of 10-micrometre anodised aluminium, with a non-slip gripping surface at the end made of soft SEBS and incorporating a glass-reinforced nylon core
- **Vertical track:** Primarily made of 10-micrometre anodized aluminium
- Track ends are capped with ABS polymer

#### **Declaration of conformity:**

- This product is in compliance with all relevant requirements of regulation (EU) 2017/745 on medical devices
- It also complies with all relevant requirements in the Council Directive 2006/42/EC (of 17 May 2006) on machinery and the Council Directive 2011/65/EC on RoHS

#### **Warranty:**

- 5 year manufacturer warranty

#### **Manufacturer product codes:**

- R7665000, R7665112

#### **Former manufacturer codes:**

- The Pressalit PLUS range has superseded several former Pressalit products
- This item has replaced: R7481, R7658
- Please check for any changes to the product specification

## Additional Information

---

Manufacturer	Pressalit
Operation	Electric
Configuration	Aperture Seat, Arms & Backrest
Seat Width (mm)	400 - 499
Height Adjustment (mm)	500
Folding Seat	Yes
Padded	Yes