



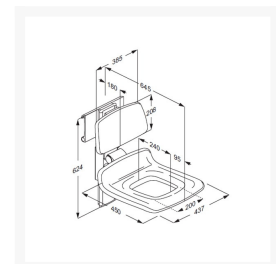
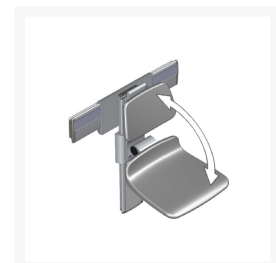
Independent 4 Life

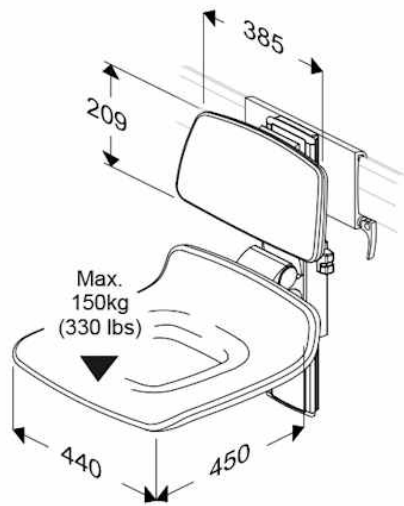
# Pressalit PLUS Aperture Shower Seat 450, Manually Height & Sideways ADJ - Colour Choice

£2,189.10 Inc. VAT

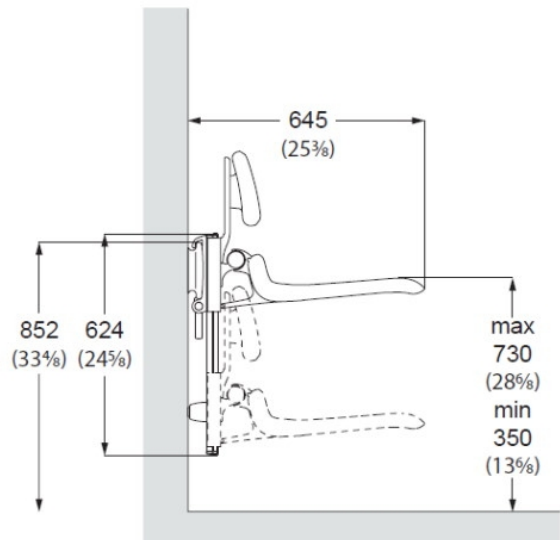
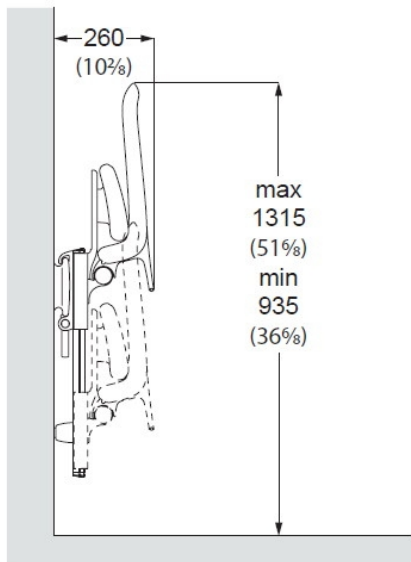
Product Code: R7455xxx

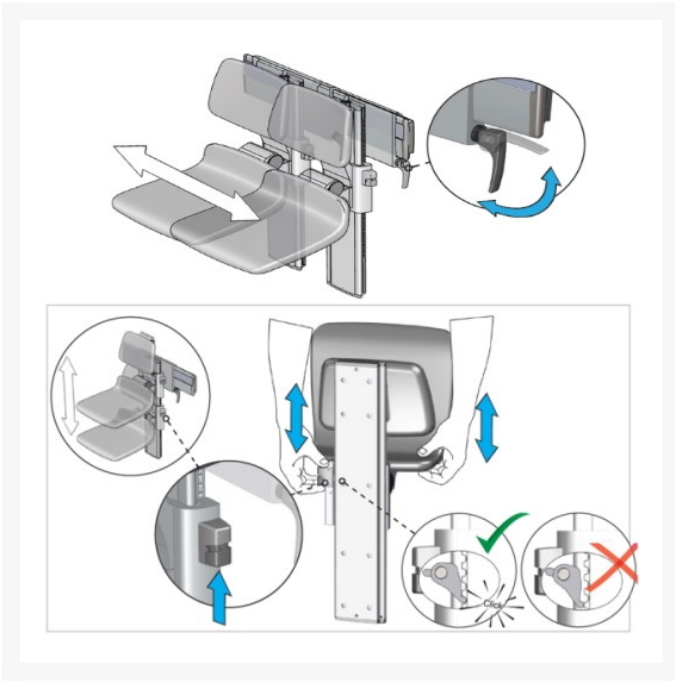
## Product Images





(mm)





## Product Options

Colour	Price Inc. VAT
Pressalit Anthracite 112	£2,189.10
Pressalit White 000	£2,189.10

## Description

---

Pressalit PLUS manually height adjustable folding 450 shower seat with aperture and backrest on a vertical PLUS track with anthracite grey cover plate, for mounting on the horizontal PLUS wall track (not included).

The seat and backrest can be adjusted simultaneously thanks to a safe and easy click system.

It can also be easily moved when a standing user needs to take a shower, as it folds away to free up extra space when not in use.

With the vertical wall track mounted at the recommended height, it is possible to adjust the height of the shower seat by 380mm from 350 to 730mm above floor level.

### Key benefits:

- Suitable for adults
- Maximum flexibility for multi-user shower rooms
- Can be set at the optimum height to suit the size and needs of user
- 380mm manually height adjustable
- Sideways adjustable for mounting on the horizontal PLUS wall track (not included)
- Moveable and detachable without the use of tools
- Space efficient
- Foldable seat
- Ergonomically designed seat
- Aperture design facilitates intimate hygiene
- The seat and backrest have a soft and slip-resistant material that has a warm feel
- Aluminium PLUS vertical track with Anthracite cover plate
- Available in Anthracite or White

### Technical details:

- Seat contact surface area (with aperture) depth x width (mm): 450 x 437
- Adjustment height (mm): 380
- Projection from the wall (mm): 645
- Seat height off the floor min./ max. (mm): 350 / 730
- Folded projection from the wall (mm): 260
- Max. seat load (kg): 200
- Product weight (kg): 14.16

### Materials:

- **Seat and backrest:** Comfortable polyurethane (PU) foam over a plywood core, seat fitted to an aluminium profile
- Covered with an in-mould coated surface protected using a clear PU lacquer
- Internal components and fasteners are primarily made of stainless steel
- The hinge barrel is capped with ABS
- **Vertical PLUS track:** Primarily made of 10-micrometre anodized aluminium
- The anthracite cover plate is made of polystyrene
- Track ends are capped with ABS polymer

### Declaration of conformity:

- This product is in compliance with all relevant requirements of regulation (EU) 2017/745 on medical devices

### Warranty:

- 5 year manufacturer warranty

**Manufacturer product codes:**

- R7455000, R7455112

**Former manufacturer code:**

- The Pressalit PLUS range has superseded several former Pressalit products
- This item has replaced: R7441, R7567
- Please check for any changes to the product specification
- Please also note that items in the PLUS range cannot be mounted onto older Pressalit wall tracks, and vice versa

## Additional Information

---

Manufacturer	Pressalit
Operation	Manual Folding
Configuration	Aperture Seat & Backrest
Seat Width (mm)	400 - 499
Height Adjustment (mm)	380
Folding Seat	Yes
Padded	Yes