



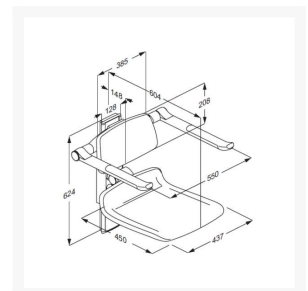
Independent 4 Life

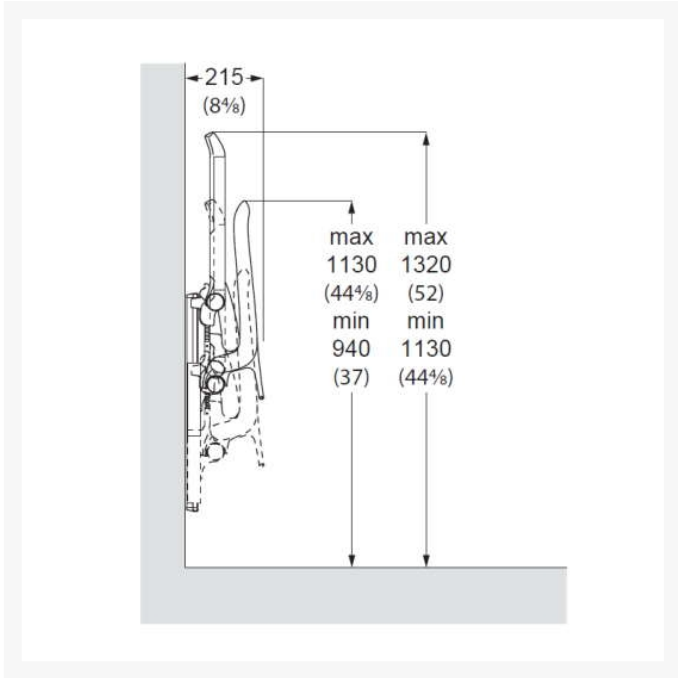
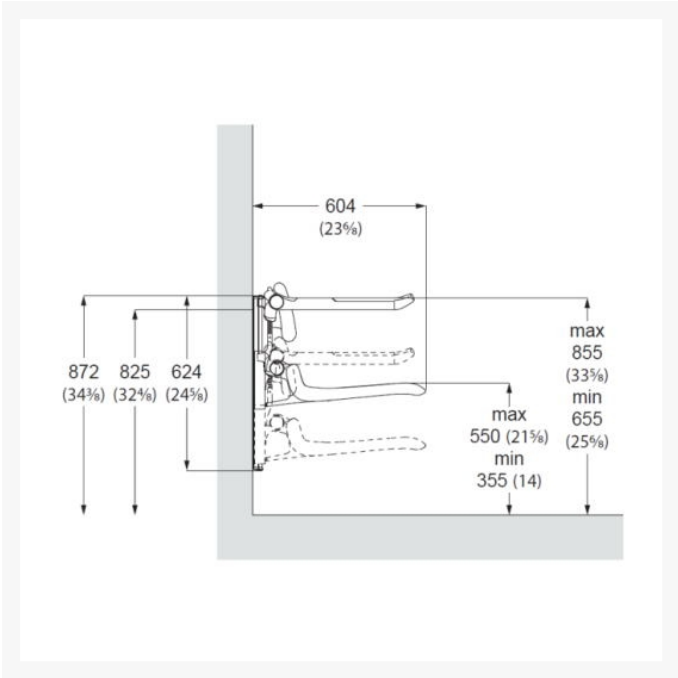
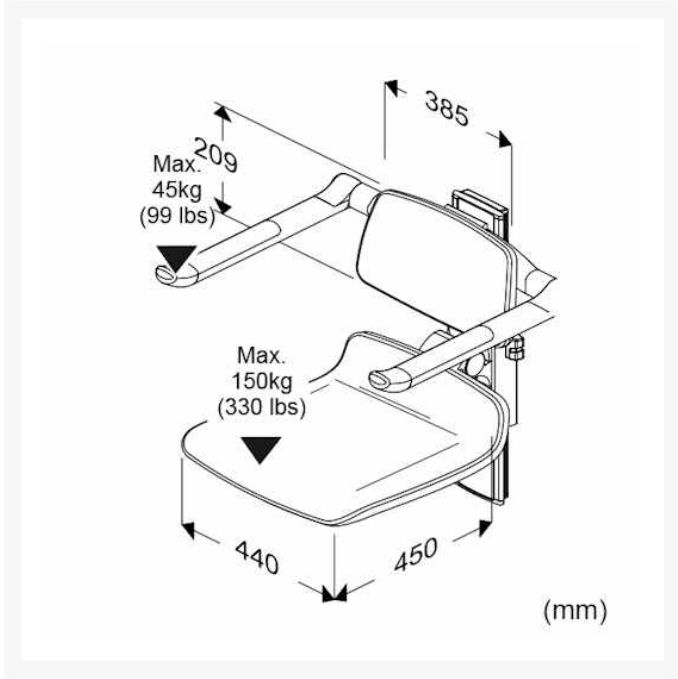
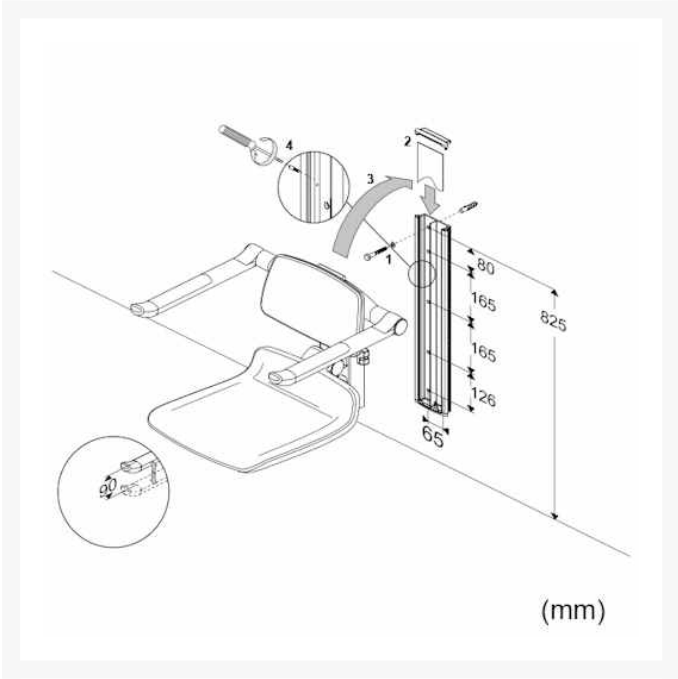
Pressalit PLUS Shower Seat 450, Manually Height ADJ - Colour Choice

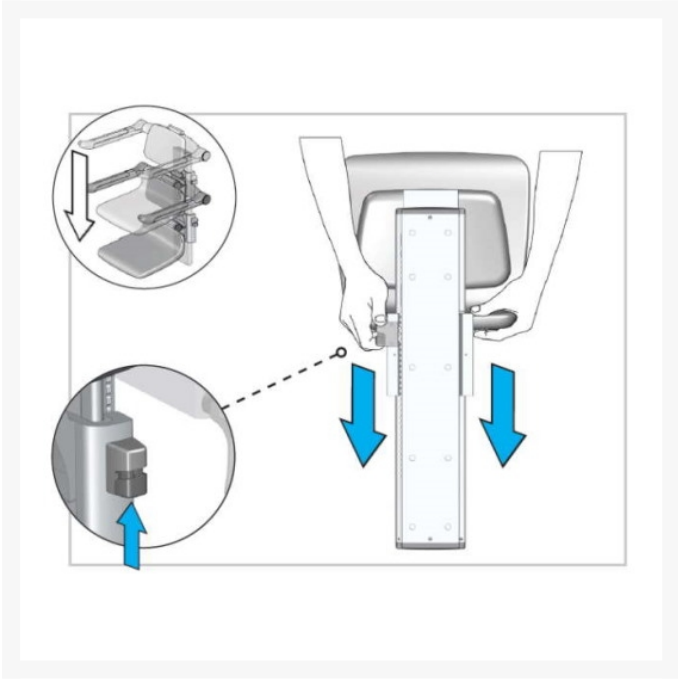
£2,443.50 Inc. VAT

Product Code: R7434xxx

Product Images







Product Options

Colour	Price Inc. VAT
Pressalit Anthracite 112	£2,443.50
Pressalit Dark Blue 108	£2,687.10
Pressalit Lime Green 277	£2,687.10
Pressalit Red 035	£2,687.10
Pressalit White 000	£2,443.50

Description

Pressalit PLUS height adjustable and folding 450 shower seat with backrest and armrests on vertical track with anthracite cover plate.

This 450 shower seat, which is suitable for adults, is made from soft and warm materials which make bathing a pleasant experience.

The seat, backrest and armrests can be adjusted simultaneously thanks to a safe and easy click system. The armrests can also be adjusted independently of the seat and backrest.

It can also be easily moved when a standing user needs to take a shower, as it folds away to free up extra space when not in use.

With the vertical wall track mounted at the recommended height, the height of the shower seat can be adjusted by 195mm from 355 to 550mm above floor level.

Key benefits:

- Suitable for adults
- Manually height adjustable shower seat by 195mm
- The armrests are independently height adjustable
- The seat and armrests are foldable
- Ergonomically designed seat
- The seat and arms have a soft and slip-resistant material that has a warm feel
- The oval shaped armrests provide an easy and comfortable surface to lean on and push against
- Aluminium vertical track with anthracite cover plate
- Available in a range of colours

Technical details:

- Seat contact surface area depth x width (mm): 450 x 437
- Adjustment height (mm): 195
- Projection from the wall (mm): 604
- Seat height off the floor min./ max. (mm): 335 / 550
- Support arms height off the floor min./ max. (mm): 655 / 855
- Folded projection from the wall (mm): 215

- Max. seat load (kg): 200
- Max. armrest load (kg): 55
- Product weight (kg): 17.26

Materials:

- **Seat and backrest:** Comfortable polyurethane (PU) foam over a plywood core, seat fitted to an aluminium profile
- Covered with an in-mould coated surface protected using a clear PU lacquer
- Internal components and fasteners are primarily made of stainless steel
- The hinge barrel is capped with ABS
- **Arms:** Primarily made of 10-micrometre anodized aluminium
- Constructed of 10-micrometre anodised aluminium, with a non-slip gripping surface at the end made of soft SEBS and incorporating a glass-reinforced nylon core
- **PLUS track:** Primarily made of 10-micrometre anodized aluminium
- The anthracite cover plate is made of polystyrene
- Track ends are capped with ABS polymer

Declaration of conformity:

- This product is in compliance with all relevant requirements of regulation (EU) 2017/745 on medical devices

Warranty:

- 5 year manufacturer warranty

Manufacturer product codes:

- R7434000, R7434112, R7434035, R7434108, R7434277

Former manufacturer codes:

- The Pressalit PLUS range has superseded several former Pressalit products
- This item has replaced: R7430, R7166
- Please check for any changes to the product specification
- Please also note that items in the PLUS range cannot be mounted onto older Pressalit wall tracks, and vice versa

Additional Information

Manufacturer	Pressalit
Operation	Manual Folding
Configuration	Seat, Arms & Backrest
Seat Width (mm)	400 - 499
Height Adjustment (mm)	195
Folding Seat	Yes
Padded	Yes