



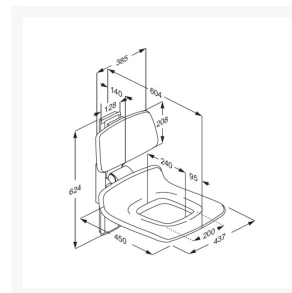
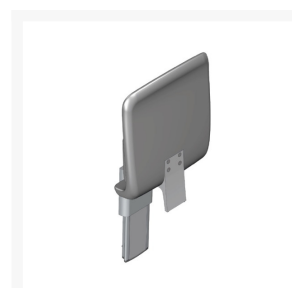
Independent 4 Life

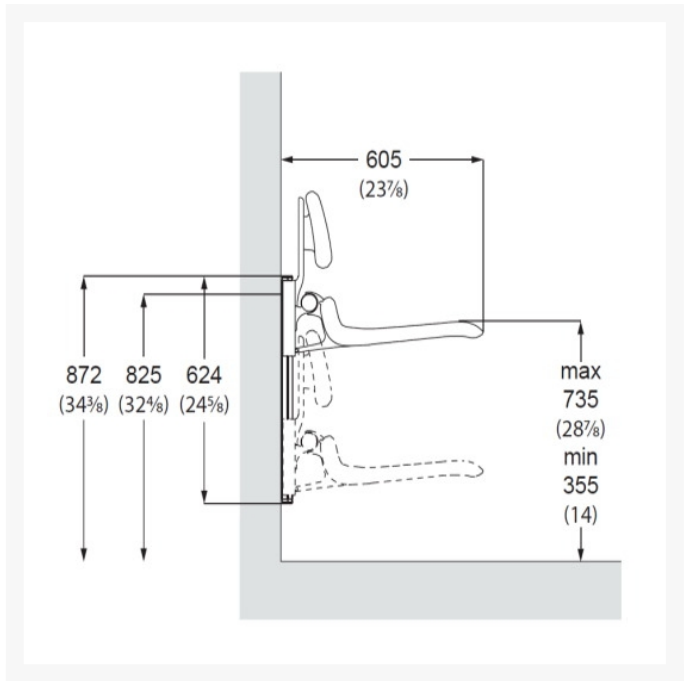
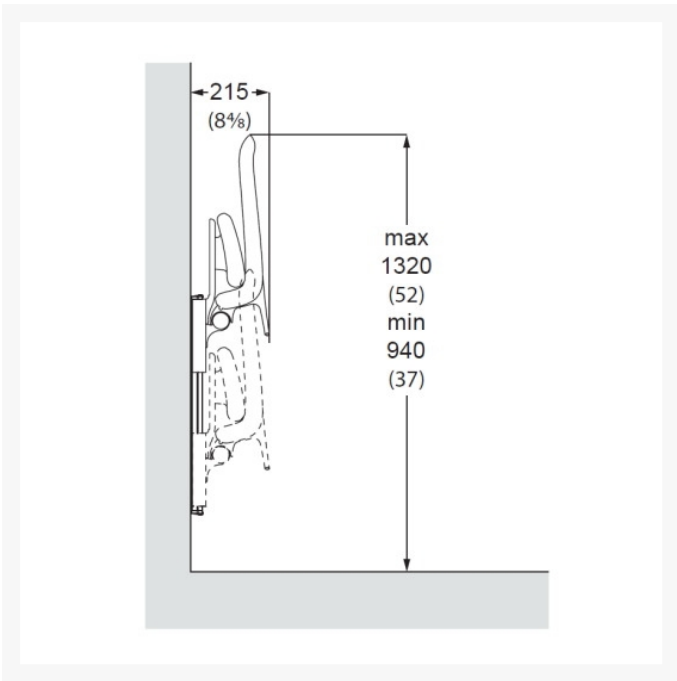
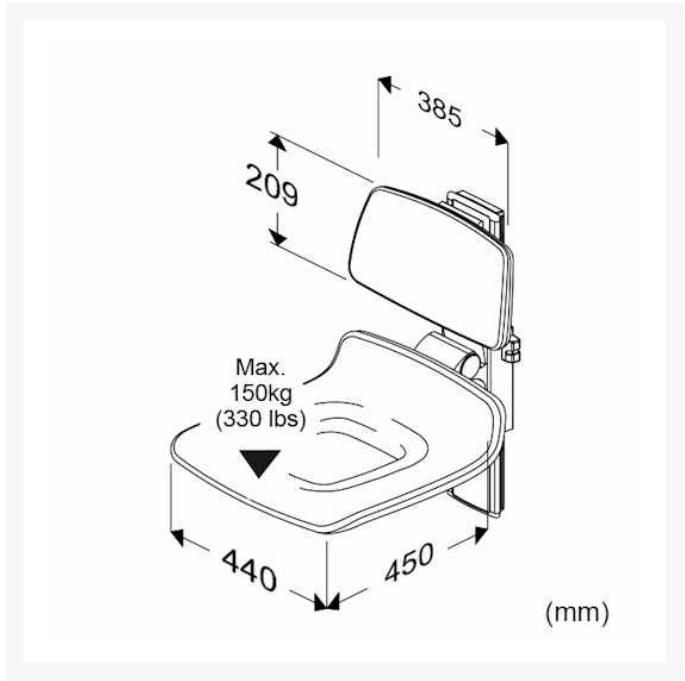
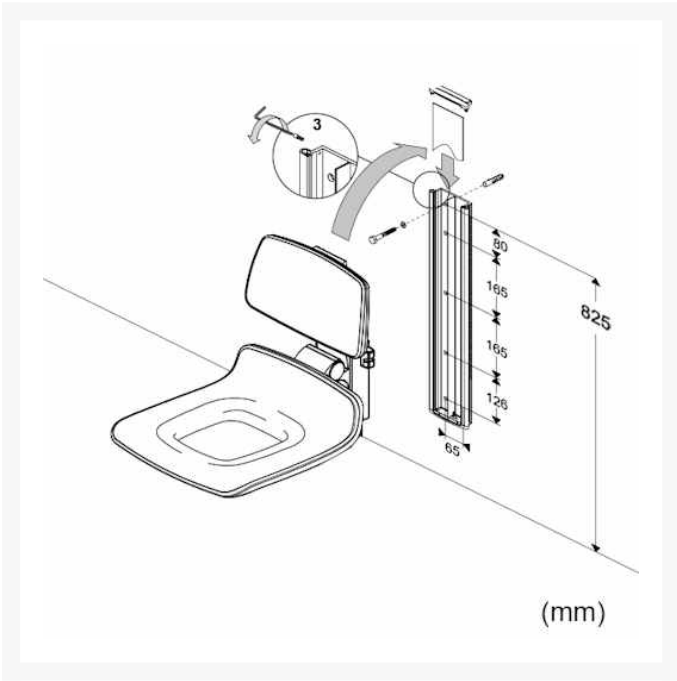
# Pressalit PLUS Aperture Shower Seat 450, Manually Height ADJ - Colour Choice

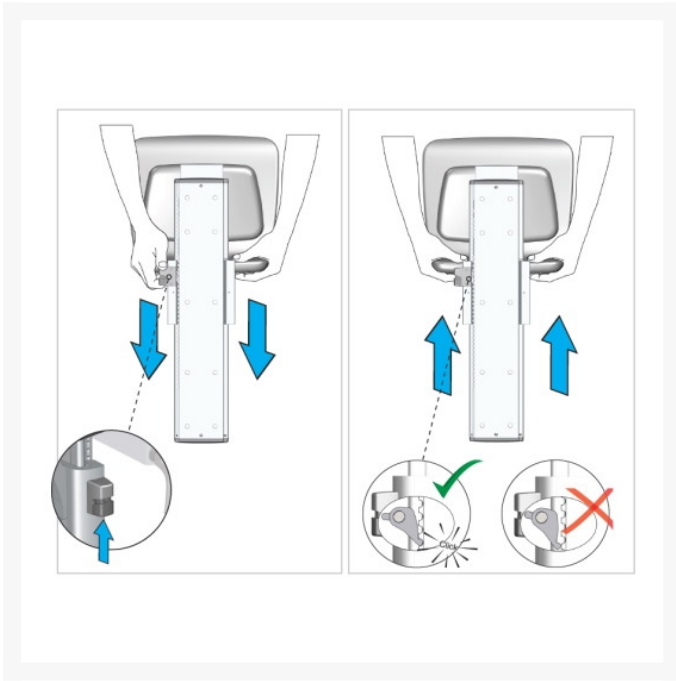
£2,036.10 Inc. VAT

Product Code: R7425xxx

## Product Images







## Product Options

Colour	Price Inc. VAT
Pressalit Anthracite 112	£2,036.10
Pressalit White 000	£2,036.10

## Description

---

Pressalit PLUS adults height adjustable folding 450 shower seat with aperture and backrest on a vertical PLUS track with anthracite grey cover plate.

The seat can be configured and adjusted to meet the requirements of the individual user or situation. Made from soft, non-slip materials, the shower seat exudes high quality and sitting comfort.

The seat and backrest can be adjusted simultaneously thanks to a safe and easy click system.

It can also be easily moved when a standing user needs to take a shower, as it folds away to free up extra space when not in use.

With the vertical wall track mounted at the recommended height, it is possible to adjust the height of the shower seat by 380mm from 335 / 735mm above floor level.

### Key benefits:

- Suitable for adults
- Can be set at the optimum height to suit the size and needs of user
- 380mm manually height adjustable
- Moveable and detachable without the use of tools
- Space efficient
- Foldable seat
- Aperture design facilitates intimate hygiene
- Adjustable backrest
- Ergonomically designed seat
- The seat and backrest have a soft and slip-resistant material that has a warm feel
- Aluminium PLUS vertical track with an Anthracite cover plate
- Available in Anthracite or White

### Technical details:

- Seat contact surface area depth x width (mm): 450 x 437
- Adjustment height (mm): 380
- Projection from the wall (mm): 605
- Seat height off the floor min./ max. (mm): 335 / 735
- Folded projection from the wall (mm): 215
- Max. seat load (kg): 200
- Product weight (kg): 12.14

### Materials:

- **Seat and backrest:** Comfortable polyurethane (PU) foam over a plywood core, seat fitted to an aluminium profile
- Covered with an in-mould coated surface protected using a clear PU lacquer
- Internal components and fasteners are primarily made of stainless steel
- The hinge barrel is capped with ABS
- **PLUS track:** Primarily made of 10-micrometre anodized aluminium
- The anthracite cover plate is made of polystyrene
- Track ends are capped with ABS polymer

### Declaration of conformity:

- This product is in compliance with all relevant requirements of regulation (EU) 2017/745 on medical devices

### Warranty:

www.independent4life.co.uk | info@independent4life.co.uk | Tel: 0800 500 3001 | VAT No: 942447711  
EORI GB942447711000

- 5 year manufacturer warranty

**Manufacturer product codes:**

- R7425000 & R7425112

**Former manufacturer codes:**

- The Pressalit PLUS range has superseded several former Pressalit products
- This item has replaced: R7421, R7167
- Please check for any changes to the product specification
- Please also note that items in the PLUS range cannot be mounted onto older Pressalit wall tracks, and vice versa

## Additional Information

---

Manufacturer	Pressalit
Operation	Manual Folding
Configuration	Aperture Seat & Backrest
Seat Width (mm)	400 - 499
Height Adjustment (mm)	380
Folding Seat	Yes
Padded	Yes