



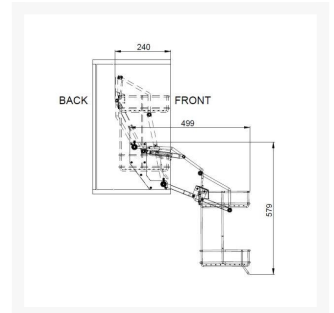
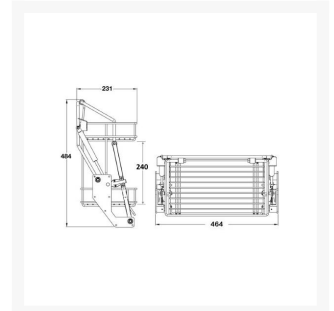
Independent 4 Life

# Vibo Pull Down Two Tier Wire Shelves - 500mm Width Wall Units

£238.80 Inc. VAT

Product Code: 504.59.231

## Product Images







## Description

---

Downward folding wire shelving for 500mm wide kitchen wall cabinets.

Enables easy access to wall cabinet contents for seated or wheelchair users, children, and those with a limited reach range.

A two tier system, the pull down handle and gas spring operation assists the user in lowering and raising the baskets.

### Key benefits:

- Pull-down storage baskets for kitchen cabinets
- Two tiers of wire shelving
- Pull down handle to underside of bottom tier
- Gas spring operated
- Chrome-plated steel
- Improved design, for easier installation

### Technical details:

- For wall cabinet width (mm): 500
- Installation width (mm): 464
- Height of installation in cupboard (mm): 484
- Minimum clear internal cabinet depth required (mm): 240
- Wire basket depth (mm): 231
- Internal height of bottom basket to underside of upper basket (mm): 240
- Shelf drop down height / minimum height required from worktop (mm): 420
- Maximum load per basket (kg): 3

### Please note:

- Some physical effort is required to pull down these baskets, particularly when the baskets are empty

- Approximate pull force required to lower empty baskets: 7.7kg (17lb)
- For cabinets with a door, we recommend the fitting of 110° hinges (not included) to allow unobstructive movement of the mechanism
- Important: The drilling pattern supplied with product must be used - failure to do so may cause fitting issues

**Former Product Code:**

- Product Code: 4G40180

**Warranty:**

- 1-year warranty

## Additional Information

---

|                            |             |
|----------------------------|-------------|
| Manufacturer               | Vibo        |
| Max. Distance Lowered (mm) | 420         |
| Number of Tiers            | Two Tier    |
| For Cabinet Width (mm)     | 500         |
| Frame Colour               | Chrome Wire |