



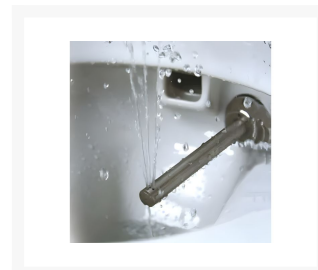
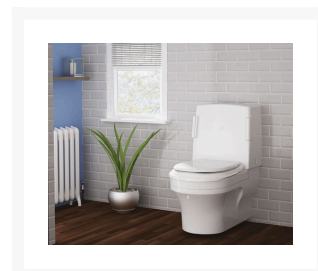
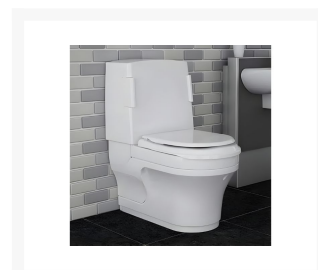
Independent 4 Life

Closomat Palma Vita Shower Toilet, with Options

From: £3,738.00
To: £6,802.07
Inc. VAT

Product Code: PV0001

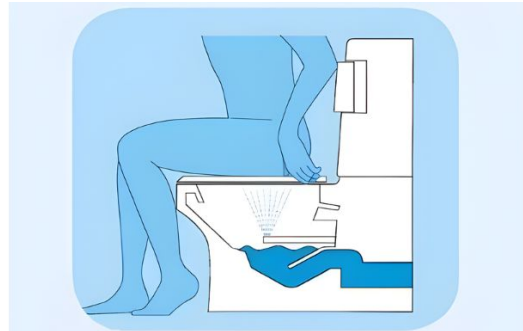
Product Images





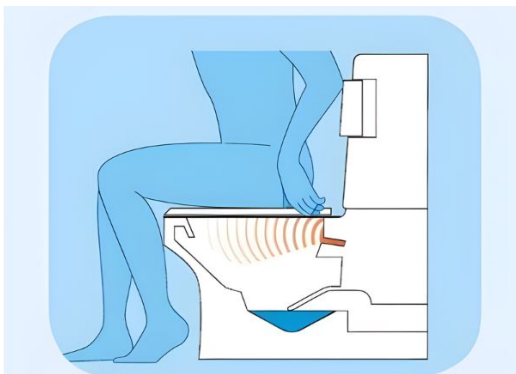
Flushing

Press either elbow pad whilst standing for conventional flush.



Washing

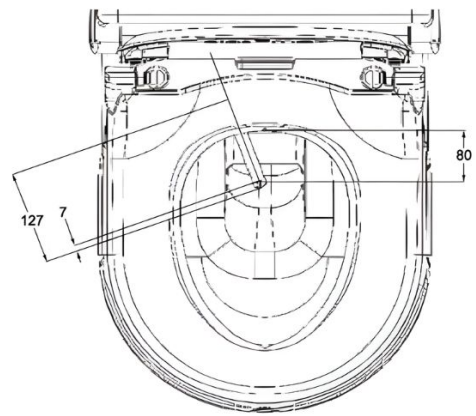
Press elbow pad whilst seated and hold down for approximately 10-15 seconds, flushing and warm water washing will then take place.



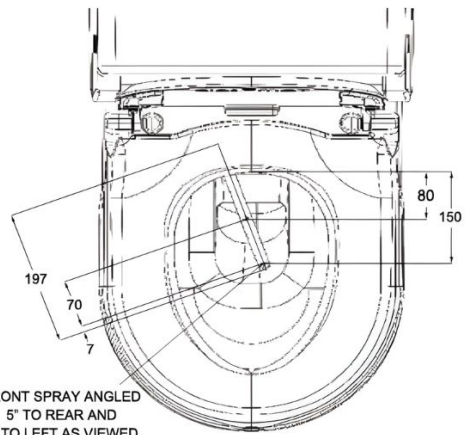
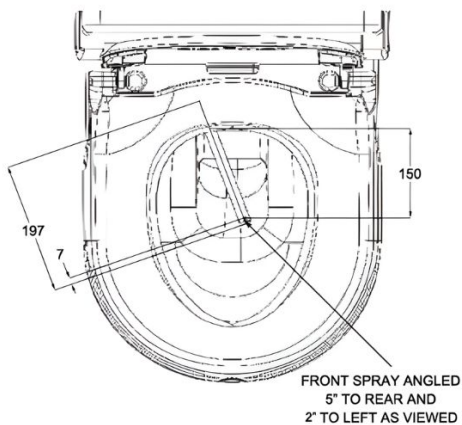
Drying

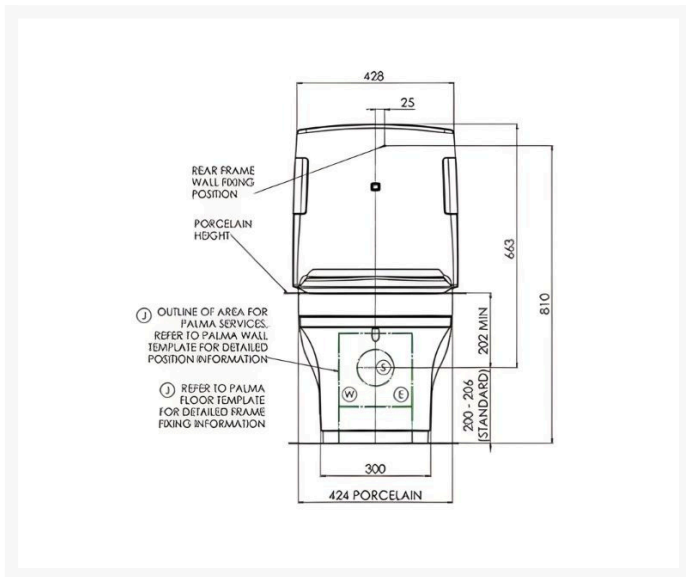
Warm air drying automatically follows when elbow pad is released.

Standard Douche Arm (Single spray)



Extended Single Spray Douche Arm





Product Options

Palma Vita Shower Toilet

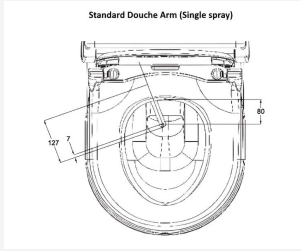


Closomat Palma Vita Shower Toilet

£3,115.00

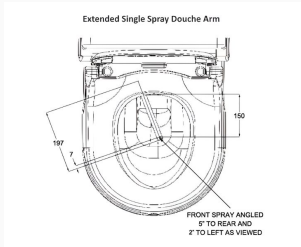
Our Closomat Palma Vita shower toilet price includes VAT. Exemptible in Checkout. Automatic WC with warm water washing, flushing and warm air-drying functions. Optional extras to suit the end-user. British made. WRAS approved. Safe working load 190kg/30st. 1-year breakdown cover. Price includes delivery and commissioning by Closomat once installed. Please note only available for shower toilets installed in UK mainland addresses.

Douche Arm



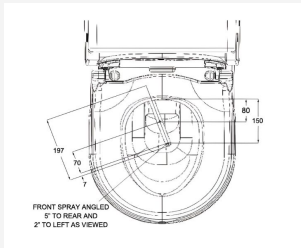
Standard Douche Arm

Standard single spray douche arm, anal douche washing for Closomat Palma shower toilets. Standard douche arm for children and average adult users.



Extended Single Spray Douche Arm

Extended single spray douche arm, anal douche washing for Closomat Palma shower toilet. Douche arm with an extended arm for larger and taller users.



Extended Twin Spray (Female Douche Arm)

Closomat extended twin spray douche arm, anal douche, and vaginal washing for Closomat Palma shower toilets. For female users who required a lady shower.

Additional Supports



Pair of Integrated Fold Down Support Arms - Factory Fitted

£351.00

Robust and secure folding support arms for the Palma Vita. Aids stability and wheelchair transfers. Compatible with the 25 and 50mm concealed shaped plinths only. Note: The support brackets are supplied pre-fitted, and the arms are supplied separately loose for site installation. Can be upgrade with Lateral Side Supports and Soft dark blue arm sleeves.



Pair of Soft Arm Sleeves - Requires the Integrated Support Arms

£83.08

Easy fit, soft arm sleeves slide over the integrated support arms to provide comfortable, hygienic, and stylish hand grips for the integrated support arms. Dark blue in colour, ideal for users with visual impairment.

Controls



Touch Sensitive Hand / Foot Switch (TSHS) with Wall Bracket

£208.00

The Touch Sensitive Hand / Foot Switch (TSHS) is for users who are unable to use the standard elbow pads on the cistern. Air pressure operated, no electricity is required, only very light pressure is needed to start the cleaning, washing, drying, and flushing cycle. Supplied pre-fitted and ready to use. Includes wall mounting bracket.



Infrared Proxy Switch

£208.00

Passive technology, Closomat infrared proxy switch, for users with little or no grip, to activate the WC wash, dry and flush cycle, simply by passing their hand / body-part in front of the infrared sensor.



Handheld Infrared Remote Control, with Wall Bracket

£457.00

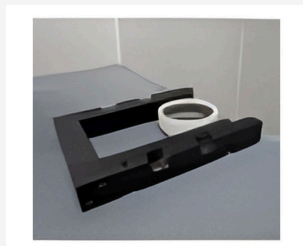
This simplistic 'push and go' style infrared control provides a versatile option lending itself particularly for use by carers for Closomat Palma Vita toilet flushing. Includes wall bracket.



Seat Sensor Bypass - For Shower Chairs & Hoists - Factory Setting

The seat sensor bypass allows use of an overhead hoist or shower chairs, this overrides the sensor detection of a user sitting on the Palma Vita shower toilet.

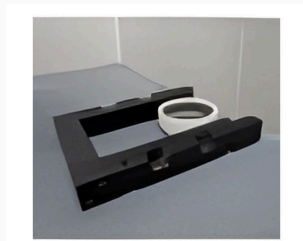
Concealed Plinths



25mm Concealed Shaped Plinth

£83.08

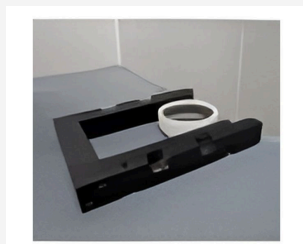
The plinth raises the whole shower toilet unit, ideal for the taller user. Concealed by the toilet's height-adjustable skirt. Also, for use with a shower chair and to aid wheelchair transfers. Compatible with the Integrated support arms. 25mm height.



50mm Concealed Shaped Plinth

£83.08

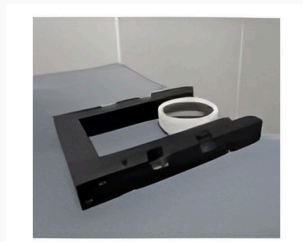
The plinth raises the whole shower toilet unit, ideal for the taller user. Concealed by the toilet's height-adjustable skirt. Also for use with a shower chair and to aid wheelchair transfers. Compatible with the integrated support arms. 50mm height.



75mm Concealed Shaped Plinth

£83.08

The plinth raises the whole shower toilet unit, ideal for the taller user. Concealed by the toilet's height-adjustable skirt. Also for use with a shower chair and to aid wheelchair transfers. Not compatible with the integrated support arms. 75mm height.



100mm Concealed Shaped Plinth

£92.31

The plinth raises the whole shower toilet unit, ideal for the taller user. Concealed by the toilet's height-adjustable skirt. Also for use with a shower chair and to aid wheelchair transfers. Not compatible with the integrated support arms. 100mm height.

Infill Panel



25mm Rear Wall Infill Panel

£121.00

25mm depth wall infill panel has been designed to aid installations where pipework inhibits the Closomat from being positioned back to the wall. Infill panel is 100mm taller than Closomat. It must be cut from bottom to suit finished toilet height.



50mm Rear Wall Infill Panel

£121.00

The 50mm depth wall infill panel has been designed to aid installations where pipework inhibits the Closomat from being positioned back to the wall. Infill panel is 100mm taller than Closomat. It must be cut from bottom to suit finished toilet height.



75mm Rear Wall Infill Panel

£121.00

75mm depth wall infill panel has been designed to aid installations where pipework inhibits the Closomat from being positioned back to the wall. Infill panel is 100mm taller than Closomat. It must be cut from bottom to suit finished toilet height.

Seat Upgrade Options



Dark Blue Junior Soft Seat, White Lid

£156.00

Closomat Palma junior soft seat with lid. Seat aperture of 165mm wide x 250mm depth. Dark blue coloured seat, to aid the visually impaired. White ABS folding toilet seat lid.



Dark Blue Adult Soft Seat, White Lid

£156.00

Closomat Palma adult soft seat with lid. Seat aperture 225mm wide x 291mm depth. Dark blue coloured seat, to aid the visually impaired. White ABS folding toilet seat cover.



Dark Blue Adult Soft Horseshoe Palma Seat, White Lid

£156.00

Closomat Palma adult soft horseshoe seat. 83mm open front width. Seat aperture of 223mm wide x 384mm overall depth. Dark blue coloured seat, to aid the visually impaired. White ABS folding toilet seat lid.

UK Mainland - Warranty and Servicing



Closomat 1st Year Warranty (Inc. Post-Installation Commissioning)

Post-installation commissioning and user familiarisation (excludes installation) by Closomat, plus 1st year warranty. Included in the purchase price. UK Mainland only. Not available for Islands and off-shore - please contact us if you are unsure.



Closomat Additional 1 Year Servicing and Breakdown Cover

£220.00

1 year service contract which includes one annual service visit and fault callouts as required. UK Mainland only. Not available for Islands and off-shore - please contact us if you are unsure.



Closomat Additional 2 Year Servicing and Breakdown Cover

£439.00

2-year service contract which includes one annual service visit and fault callouts as required. UK Mainland only. Not available for Islands and off-shore - please contact us if you are unsure.



Closomat Additional 3 Year Servicing and Breakdown Cover

£658.00

3-year service contract which includes one annual service visit and fault callouts as required. UK Mainland only. Not available for Islands and off-shore - please contact us if you are unsure.



Closomat Additional 4 Year Servicing and Breakdown Cover

£877.00

4-year service contract which includes one annual service visit and fault callouts as required. UK Mainland only. Not available for Islands and off-shore - please contact us if you are unsure.

Description

The Closomat Palma Vita is a floor standing automatic shower toilet that provides washing, flushing and warm air drying from one simple operation.

User-friendly, the Palma Vita is also ideal for those who have restricted use of their hands.

By reducing hand contact, it also improves hygiene for all users.

Key benefits:

- Combines functions of a WC and bidet with addition of drying air
- Improves personal hygiene - cleaning with warm water not paper
- Simultaneous flushing and washing (a unique feature)
- Unique one-touch system - allows the user to operate the toilet simply by pressing and releasing the elbow pads mounted either side of the cistern
- Customisable to suit each individual's needs
- Height adjustable skirt elegantly conceals the raised plinths
- Can be used at all times as a conventional WC
- UK made in a dedicated plant

Douche arm selection:

- Standard douche arm
- Extended single spray douche arm - for the larger user
- Extended twin spray douche arm - for female users
- All douche arm options are included in the price of the Palma Vita
- For more information, please refer to the 'Douche Arms Specification Guide' in the 'Installation and Help Guides' section above

Optional extras:

Integrated Fold-down Support Arms

- Robust and secure support arms designed and manufactured specifically for the Palma Vita
- The support arms fold out of the way to aid side transfer from a wheelchair and can further aid the user's stability
- The arms are ideal for installations where the wall construction is poor
- Safe working load: 190kg/30st
- Note: Maximum concealed plinth height 50mm when arms are fitted to ensure stability of the toilet
- The fold-down support arm brackets are pre-fitted, but the arms are supplied loose for site installation
- For more information, please refer to the 'Integrated Fold-down Support Arms - Technical Data Sheet' in the 'Installation and Help Guides' section

Soft Arm Sleeves

- Easy to fit, soft arm sleeves provide a comfortable and hygienic hand grip
- Dark blue in colour - aids the visually impaired
- For use in conjunction with the integrated support arms

Touch Sensitive Hand / Foot Switch (HTFS)

- This device is for users who are unable to use the standard elbow pads
- Air operated, no electricity is required to operate it, only very light pressure
- Includes wall mounting bracket
- Can be placed on the floor or handheld

Proxy Switch

- Making use of "passive technology", the proxy switch allows users with little or no grip to activate the unit, simply by pressing their hand / body part in front of the sensor

Infrared Remote Control

- This simplistic 'push and go' style infrared control provides a versatile option which is ideal for use by carers
- Includes wall mounting bracket

Concealed Floor Plinths

- Plinths for raising the toilet height
- For use with a shower chair or to aid direct wheelchair transfer
- The plinth is concealed by the toilet's height adjustable skirt
- Note: If ordering the Integrated Support Arms - The maximum allowable plinth height is 50mm

Rear Infill Panel

- The infill panel has been designed to aid installations where pipe-work inhibits the Palma Vita from being located against the wall
- The infill panel is 100mm taller than the Palma Vita - it must be cut from the bottom to suit the toilet height
- Available in a range of thickness sizes: 25, 50 and 75mm

Seat Upgrade Options:

- Upgrade options available are junior, adult, and adult horseshoe open fronted soft seats
- All soft seats are supplied in a dark blue colour to aid the visually impaired and with a white toilet seat lid
- For more information, please refer to the 'Toilet Seat Dimensions' in the 'Installation and Help Guides' section above

Junior soft seat:

- - Aperture 165mm wide x 250mm depth

Adult soft seat:

- - Aperture 225mm wide x 291mm depth

Adult horseshoe open fronted soft seat:

- - 83mm open front width. Aperture 223mm wide x 384mm overall depth

Warranty and commissioning:

- 1 year manufacturer warranty as standard
- Options to increase the warranty - please select above if desired
- Commissioning by Closomat is included in the price - once installed, please contact them directly to arrange a site visit
- Warranty period starts once commissioning has been completed

Technical details:

- Overall dimensions (mm): 869 H x 451 W x 730 D
- Standard installed height to the toilet pan rim (mm): 410
- Standard installed height to the Palma Vita 'standard' toilet seat (mm): 445
- Safe working load: 190kg/30st
- Electric supply: 220/240v 50hz single phase AC supply
- Supplied with 1000mm long, three core (live/neutral/earth) insulated 3183Y-1-white control flex-cable

- Compliant with current Electrical Regulations - Can be fitted in Zone 1 of a bathroom/wetroom
- Electric loading: 4.5A-4.9A, maximum power 1300 watts
- A 10A fused spur is required for isolation with an earth connection
- A fused spur is required for isolation with an earth connection
- IP Rating: IPX4
- WRAS approved
- Requires 15mm COLD inlet feed from mains supply or a storage vessel
- Flow rate - 8 litres/minute
- Cistern capacity (litres): 6-9, set at 6 litres
- Boiler capacity (litres): 1.7
- Overflow: Internal overflow which discharges into the WC pan
- Pan has a horizontal spigot standard 100mm diameter outlet, suitable for standard pan connection fittings
- In the event of a power failure, the Palma Vita operates like a standard flush toilet

Soil connections suitable for the Palma Vita (not included):

- S-Trap (vertical fall) wall to centre of pipe from 70-230mm max.
- P-Trap (horizontal) floor to centre of pipe 200mm max.
- The Palma Vita is suitable for all turned trap outlets, through purpose made removable side covers on lower level
- Download the PDF Installation Instructions for more information

Please note:

- Due to the custom nature of this item and hygiene reasons this product is non-returnable
- The Palma Vita must not be in direct line with the shower spray in a bathroom or shower room installation
- Some form of partition between a shower and the Palma Vita is advisable to prevent any water spraying directly onto the equipment
- A shower should not be used in conjunction with the Palma Vita - under no circumstances should a user shower whilst seated on the Palma Vita

Additional Information

Manufacturer	Closomat
Brand / Model	Closomat / Palma Vita
Style / Type	Care - Floor-standing Shower Toilet
Max. Load (kg / St)	190 / 30
Installed WC Pan Height (mm)	445, 470, 495, 520 & 545 (With Seat)
Warranty	1 Year Standard, Paid Upgrade 1 - 4 Years
Flush Operation	Elbow Push Pads, OPT - Remote Control, OPT - Infrared Proxy Switch, OPT - Hand Touch Foot Switch (HTFS), OPT - SHW Chair Seat Sensor Bypass
Seat Length (mm)	736 to Pan Front
Seat Width (mm)	426
Technologies	OPT - Rear Wash Douche, OPT - Extended Rear Wash Douche, OPT - Rear & Feminine Wash Douche, Simultaneous Flushing & Washing, Adjustable Water Temp, Adjustable Flow Rate, Warm Water Wash Cycle, Pulsating Spray, Oscillating Spray, Self-cleaning Function, OPT - Rear Infill Panels, OPT - Concealed Plinths, OPT - Dark Blue Junior Soft Seat, OPT - Dark Blue Adult Soft Seat, OPT - Dark Blue Adult Open Fronted Soft Seat, OPT - Fold Down Support Arms, OPT - Pair of Soft Arm Sleeves
Approvals	WRAS Approved