



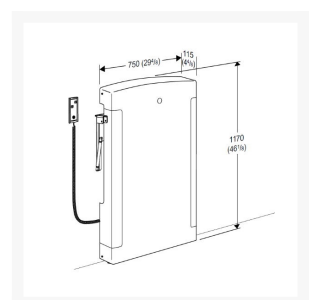
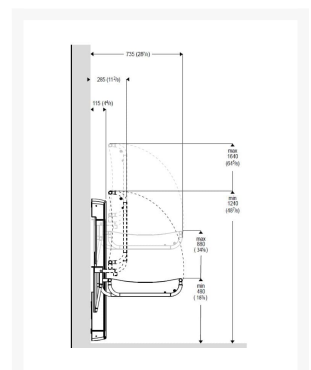
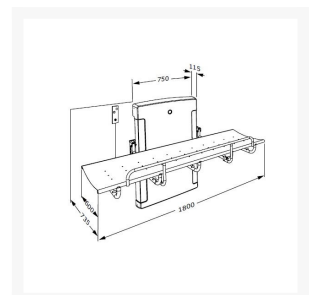
Independent 4 Life

Pressalit SCT 1000, Electrically Height ADJ, Safety Rail - 1800mm

£4,777.50 Inc. VAT

Product Code: R8583118000

Product Images





Description

Pressalit Nursing Bench 1000, with 1800mm length electrically height adjustable nursing bench with wired hand control and a folding safety rail.

The 1000 series is a range of quality nursing benches with PVC coated canvas stretchers that are easy to clean, suitable for a wide range of applications in private places.

Carers can easily set the height of the bench, enabling them to obtain the correct working position.

This ensures safe showering and changing for the user as well as minimizing the risk of back injury for the carer.

Height adjustment:

- When mounted at the recommended height, the height of the nursing bench can be adjusted from 480 mm - 880mm above floor

Control:

- Electric with wired hand control - the red buttons clearly indicate "Up" and "Down"
- The wired hand control comes with a holder for fitting to the wall

Space saving:

- Integrated gas cylinders enable the bench to be folded out of the way when not in use to maximise floor space
- Light table element, folded easily
- Available separately: Wall-mounted, Safety lock (Product Code: R8485)

Optional:

- Available separately: Splash curtain option to keep assistant's legs dry (Product Code: R8421000)

Specification:

- Length: 1800mm
- Outer dimensions (mm): 765 x 1800
- Height adjustable range (mm): 400
- Speed, upwards mm/s: 15
- Speed, downwards mm/s: 20
- Noise level (dB): 48
- Mains connection (V): 230
- Mains connection (Hz): 50-60
- IP Rating of Actuator (motor), Control box: IPX6
- IP Rating of Wired remote control: IPX66
- Power consumption by maximum load (W): 70
- Power consumption by standby (W): 2
- Maximum weight: 150kg
- Materials: The frame is powder-coated steel
- Materials: The table is made from practical and durable PVC canvas which is phthalate free
- Wall fixing kit not included, see PDF downloads for more information
- This product must be wired via. a fused spur

Declaration of conformity:

- This product is in compliance with all relevant requirements of regulation (EU) 2017/745 on medical devices
- It also complies with all relevant requirements in the Council Directive 2006/42/EC (of 17 May 2006) on machinery and the Council Directive 2011/65/EC on RoHS

Manufacturer warranty:

- **Note:** If the product is installed in an atmosphere heavy in salt or chloride, the warranty of the nursing bench will be reduced from the normal 3 years to 1 year. Salt and chloride have a corrosive effect on the products components and will cause a decrease in the life expectancy of the product. The damaging effects can, however, be reduced if the product is showered with tap water on a daily basis.

Replaces product code / Title:

- R8401
- Pressalit R8403 Nursing Bench 1000 - Electric Nursing Bench, with Safety Rail, 1800mm

Additional Information

Manufacturer	Pressalit
Mounting	Wall
Width (mm)	1800
Adjustment	Electric Adjustable Height
Front Safety Rail	Yes
Brand / Model	Pressalit - SCT 1000
Height adjustment (mm)	400