



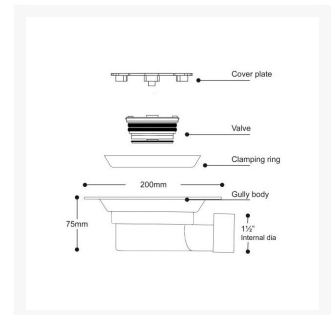
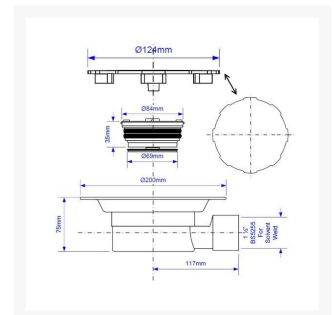
Independent 4 Life

McAlpine Wht Valve Gully 1 1/2" Solvent Outlet - Vinyl Flooring

£76.52 Inc. VAT

Product Code: VSG1WH

Product Images



Description

The McAlpine VSG1 Non-Return Valve Gully is ideal for floor former installations where depth is restricted.

The valve is a substitute for a regulatory water seal trap; the weight of the water discharge will open and close the valve.

Key benefits:

- Suitable for concrete and suspended timber floors
- Eliminates the release of foul air due to back flow
- Flow rates of up to 30 l/min when tested under a constant 15mm head of water
- Includes clamping ring for fitting flexible sheet flooring in wet rooms
- 75mm depth, for floor former installations where depth is restricted
- 200mm overall diameter
- 1½" BS EN 1329-1:2000 Solvent Weld Horizontal Outlet
- Manufactured in ABS to the highest quality
- ABS push fit gully cover (without securing screws)
- Includes Flexcon6 1½" multi-fit plain outlet fitting

Please note: It is advisable to seek guidance from local Building Control prior to use as there are currently no regulations to cover the use of anything other than a 50mm water seal trap.

Alternative product code:

- Former Contour Showers (Product code: 08GV01NSC)

Additional Information

Manufacturer	McAlpine
Configuration	Gravity Waste
Compatible Tray or Former	AKW - Tuff Form, AKW - Tuff Form8, AKW / Contour - ShowerDec, Maxxus
Installation	Floor Formers, Concrete / Screed Floors, Timber Floors
Application	Floor Former, Screed Floors, Timber Floors
Waste Diameter (mm)	200
Waste Outlet / Depth (mm)	Horizontal
Flow Rate / l/min	30
Floor Finish	Vinyl Sheet Flooring
Grate Material / Finish	Plastic / White