



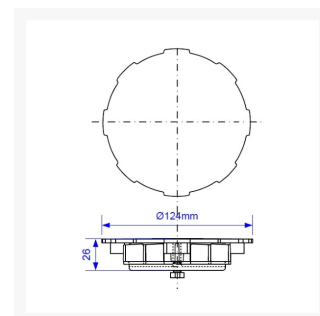
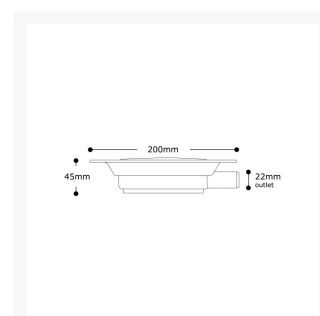
Independent 4 Life

# McAlpine White Plastic, Horiz Untrapped Gully 22mm O/Let - Sheet Flooring

£67.04 Inc. VAT

Product Code: USG1WHCON-NSC

## Product Images



## Description

The McAlpine USG1-WH is a gully designed for wet room floor formers using vinyl sheet flooring.

McAlpine ABS pumped waste for use with a shower waste pump.

## Key benefits:

- Top access - easy to clean
- Designed for use in floor formers
- Flow rates of 48 litres per minute exceed the minimum requirement of EN 1253-2:2003 and are variable dependent on the cover plate used
- Includes clamping ring for fitting flexible sheet flooring in wet rooms
- 200mm overall diameter
- 44.5mm depth
- 22mm outlet
- 22mm x 70mm extension pipe for easier installation of pumped waste connections
- Manufactured in ABS to the highest quality, will withstand wheelchair loadings
- Push fit ABS gully cover (without securing screws)
- Simple to install

## Alternative product code:

- Contour Showers (Product code: 08GU01)

## Additional Information

---

Manufacturer	McAlpine
Configuration	Pumped Waste
Compatible Tray or Former	AKW - Tuff Form, AKW - Tuff Form8, AKW / Contour - ShowerDec, Maxxus
Installation	Floor Formers
Application	Floor Former
Waste Diameter (mm)	200
Waste Outlet / Depth (mm)	Horizontal
Floor Finish	Vinyl Sheet Flooring
Grate Material / Finish	Plastic / White