

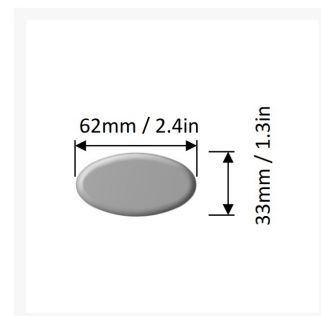
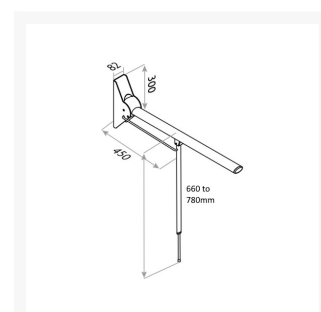


Independent 4 Life

# Ropox Aqualine 900mm STR Toilet Support Arm, Friction Hinge & Support Leg

Product Code: 40-40120

## Product Images



## Description

The Ropox Aqualine ergonomic hinged arm support with leg can be mounted by the side of the WC or washbasin to provide a safe way of sitting down and standing.

Compatible with the Ropox Aqualine Standing/Sitting Attachment for Support Arms (Product Code: 40-40925)

[www.independent4life.co.uk](http://www.independent4life.co.uk) | [info@independent4life.co.uk](mailto:info@independent4life.co.uk) | Tel: 0800 500 3001 | VAT No: 942447711

EORI GB942447711000

and the Ropox Aqualine Toilet Roll Holder (Product Code: 40-40910) order separately.

Suitable for use with floor standing toilets and WC pans projecting 750mm from the wall.

**Key benefits:**

- Easy to raise and lower and will stay in the position you leave it in
- Made from aluminium with stainless steel fittings
- Oval shape provides a comfortable grip
- Leg provides additional support and is adjustable by 120mm
- 900mm length - longer than standard arms allows support when standing straight, clear of the toilet
- Max. user weight 135kg (21 stone)
- Concealed fixings
- Doc M compliant

**Technical details:**

- Overall length (mm): 900
- Projection offset from the wall when folded (mm): 143
- Oval profile width x height (mm): 62 x 33
- Adjustable support leg by 120mm
- Possible user height (mm): 660 to 780 from floor to top side of arm support

**Materials:**

- Support arm: Aluminium, powder coated
- Wall bracket: Steel, Chromate and powder coated
- Manufactured in accordance with the following standard: DS/EN17966-2016

**Warranty:**

- 2-year manufacturer warranty

## Additional Information

---

Manufacturer	Ropox
Length (mm)	900
WC Projection (mm)	750
Colour	White
Surface Finish	Powder Coated - "Not Cool to Touch"
Type	Hinged Arm Support with Leg
Material	Aluminium
Mounting	Wall, Floor
Arm Control	Friction Hinge
Fixings	Concealed
Adjustable	Fixed Height (No Adjustment)