



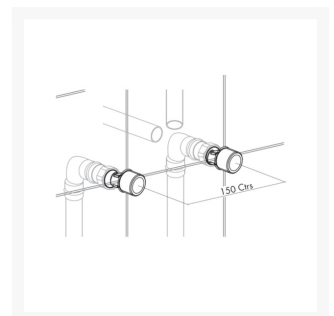
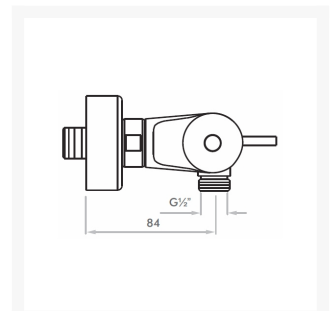
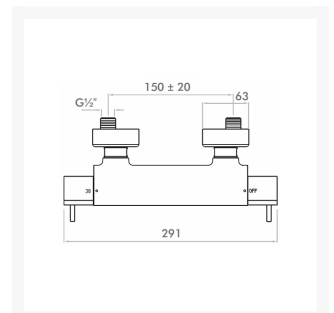
Independent 4 Life

Inta Acura Exposed Thermostatic Bar Shower Valve

£311.39 Inc. VAT

Product Code: ST10010CP

Product Images



Description

Thermostatic cool-to-touch bar shower valve with a bottom outlet for a flexible shower hose connection, from the Inta Acura range.

The valve is stylish and safe, with excellent safety features and approvals.

Key benefits:

- Long levers to aid operation for users with limited dexterity
- Thermal cartridge technology
- Temperature stability of $\pm 2^{\circ}\text{C}$
- Fail safe protection on both the hot and cold supplies
- Matching range of Acura bath fillers and basin mixer taps

Approvals:

- WRAS approved

Safety:

- Safe touch - body remains cool-to-touch
- Anti-scald technology - water is prevented from reaching a temperature hot enough to scald

Technical details:

- System Installation: Unvented, Pressurised, Gravity and Combination Boilers
- Max inlet pressure (static): 5 bar
- Min inlet pressure (dynamic): 0.2 bar
- Max inlet temperature: 85°C
- Inlet connection spacing (mm): $150\text{ c/c} \pm 20$
- Inlet connections: G $\frac{3}{4}$ " F BSP (body only)
- Outlet connections: G $\frac{1}{2}$ " F BSP
- Min temperature differential to achieve failsafe: 15°C
- Thermostatic cartridge: 10017
- Flow cartridge: 05VC10FLNF

Warranty:

- 5 year manufacturer warranty

Additional Information

Manufacturer	Inta
Shower Type	Direct Fed (Mixer)
Shower Features	Thermostatic Mixers
Fixings	Exposed
Control	Manual Lever
Water Pressure	Low, Normal Mains, High Pressure Systems
Technologies	Thermostatic Control, Fail Safe on Hot & Cold Supplies, Exposed Bottom Entry, TMV a Recommended Extra
Approvals	WRAS Approved