



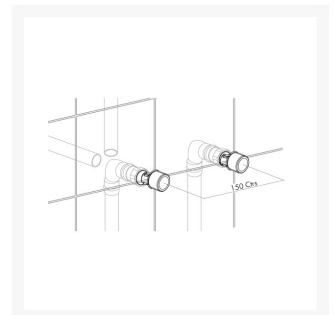
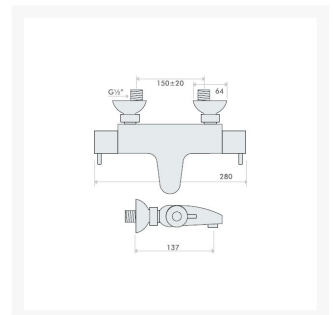
Independent 4 Life

# Inta Acura Thermostatic Bath Filler, Wall Mounted - Chrome

£352.07 Inc. VAT

Product Code: AC50010CP

## Product Images



## Description

Thermostatic bath filler mixer tap from the Inta Acura range.

The tap is for wall mounting and features anti-scald temperature protection.

The Acura thermostatic bath filler is also ideal for domestic purposes with its stylish appearance and for use by those with limited hand dexterity.

### Key benefits:

- Specifically designed and manufactured to meet the requirements of BS 7942: 2000 and NHS D08
- System installation: Unvented, Pressurised, Gravity and Combination Boilers
- Thermal cartridge technology
- Fail safe protection on both the hot and cold supplies
- Lever handles
- Wall mounted
- Matching range of Acura showers and basin mixer taps

### Safety:

- Anti-scald - water is prevented from reaching a temperature hot enough to burn

### Technical details:

- Max inlet pressure (static): 5 bar
- Min inlet pressure (dynamic): 0.2 bar
- Max inlet temperature: 85°C
- Inlet connections: G ¾" F BSP (valve body)
- Min temperature differential to achieve failsafe: 15°C
- Thermostatic cartridge: 10017

### Warranty:

- 5 year manufacturer warranty

## Additional Information

---

Manufacturer	Inta
Application	Bath
Tap Style	Wall Mounted Bath Filler, Deck Mixer / Filler Tap
Mounting	Wall
Operation	Turn with Lever
Water Pressure	Low, Normal Mains, High Pressure Systems
Technologies	Thermostatic Control, Anti-Scald, Fail Safe on Hot & Cold Supplies, TMV a Recommended Extra