



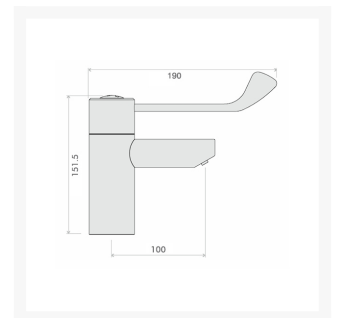
Independent 4 Life

£239.21 Inc. VAT

Inta Intatherm Safe Touch TMV3 Thermostatic Basin Mixer Tap, 190mm Extended Lever & Copper Tails (TP6) - (RT623)

Product Code: IT1006CP

Product Images



Description

Sequential thermostatic basin monobloc mixer tap with 190mm extended lever and copper tails.

The tap can be operated easily by either hand or elbow with proven thermostatic protection the tap is the ideal solution for less able facilities, sheltered accommodation and also domestic bathrooms, with the Intatherm range of excellent safety features and approvals.

Key benefits:

- Sequential mixer tap
- Simple smooth operation
- Integral thermostatic mixing valve
- Extended 190mm lever with easy to grip handle
- Copper inlet tails
- Self draining spout
- Doc M compliant

Approvals:

- TMV3 scheme approved
- WRAS approved

Safety:

- Safe touch - body remains cool-to-touch
- Anti-scald - water is prevented from getting hot enough to burn

Technical details:

- Max inlet temperature: 85°C
- Factory set temperature: 41°C
- Temperature stability: $\pm 2^{\circ}\text{C}$
- Max operating pressure (static): 10 bar
- Min inlet pressure (dynamic): 0.2 bar
- Min temperature to achieve failsafe: 10°C
- Max pressure inlet differential: 5:1

Warranty:

- 1 year manufacturer warranty

Alternative product title:

- This product is also known as the Pressalit Mixer Tap, TMV3-approved (Product Code: RT623)

Additional Information

Manufacturer	Inta
Application	Basin
Tap Style	Thermostatic, Deck Mixer / Filler Tap
Mounting	Basin
Operation	Turn with Lever
Water Pressure	Low, Normal Mains, High Pressure Systems
Approvals	WRAS Approved, TMV3 (Healthcare Sector)
Technologies	Thermostatic Control, Safe Touch, Anti-Scald, Temperature Control Lever