



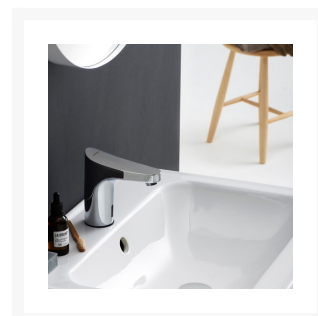
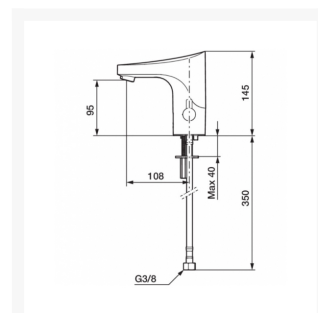
Independent 4 Life

# FMM Granberg 425-110 Infrared Washbasin Mixer Tap - (6V Battery Operated)

£472.80 Inc. VAT

Product Code: 425-110

## Product Images



## Description

FM Mattsson 9000E Tronic also referred to as the Granberg 425-110 an infrared touch-free mixer tap for washbasins.

As well as being hygienic, infrared taps bring savings on both water and energy.

[www.independent4life.co.uk](http://www.independent4life.co.uk) | [info@independent4life.co.uk](mailto:info@independent4life.co.uk) | Tel: 0800 500 3001 | VAT No: 942447711

EORI GB942447711000

The temperature can easily be set with the lever at the side of the mixer. The lever can be fixed to prevent the mixer from scalding or alternatively the lever can be removed if you only require a fixed temperature.

The tap features a programmable function for hygienic flush that prevents stagnant water and bacteria growth.

Displayed in our showroom [click here](#) for more information or to book an appointment.

#### **Key benefits:**

- Adjustable max temperature
- Adjustable flush time
- 30 sec. rinse time via sensor
- Infra-red touch-free operation is hygienic and save on both water and energy
- In-built temperature lever on side of tap (removable)
- Soft closing solenoid valve
- Can be turned off for 60 seconds - i.e. for cleaning
- Eco friendly - energy and water saving constant flow aerator, 5 l/min at 200–600 kPa
- System for thermal disinfection against legionella
- Flush Timeout - safety shut-off to prevent flooding
- Programmable flush function - prevents stagnant water build-up and inhibits bacteria growth
- Low power consumption – long life battery included
- Approved non-return valves, EN-Standard EN1717
- Environmental friendly materials, Lead free, Nickel Free
- All technical parts are integrated in the mixer body for easy maintenance

#### **Technical details:**

- Chrome plated
- Spout projection (mm): 108
- Tap height (mm): 145
- Automatic sensor calibration
- After adjusting to the desired temperature, knob can be replaced with a cover
- 350mm Stainless steel braided, soft PEX® hoses with integrated non return valves and filters
- Required mounting hole dia. (mm) 33.5–37
- Max. mounting surface thickness (mm): 40
- Backflow protection unit type: EB
- IP class sensor, IP67
- 6v Battery

#### **Warranty:**

- 2 year manufacturer warranty

## Additional Information

---

Manufacturer	Granberg
Application	Basin
Tap Style	Deck Mixer / Filler Tap
Mounting	Basin
Operation	Infrared
Water Pressure	Low, Normal Mains
Technologies	Automatic Sensor Calibration, Temperature Control Lever, Aerator Outlet, Water Saving, TMV a Recommended Extra, Programmable Flow Time, Battery Operated