



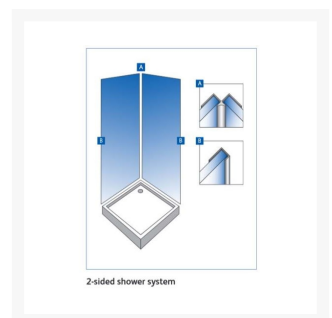
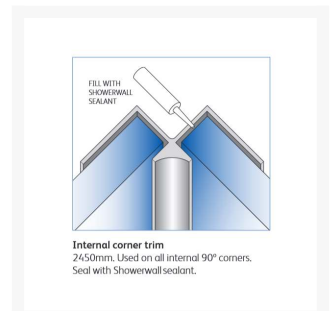
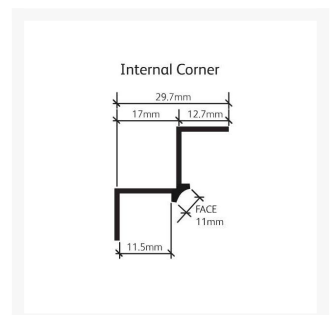
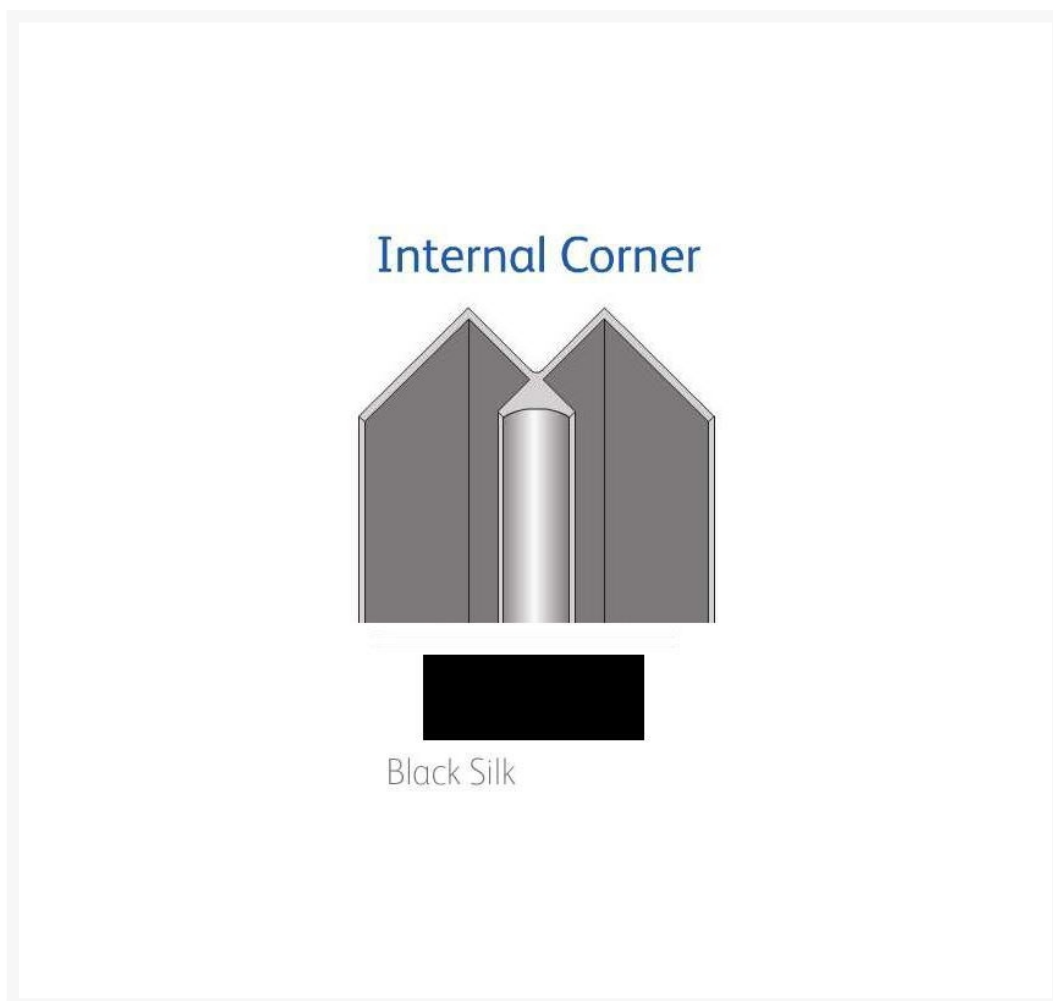
Independent 4 Life

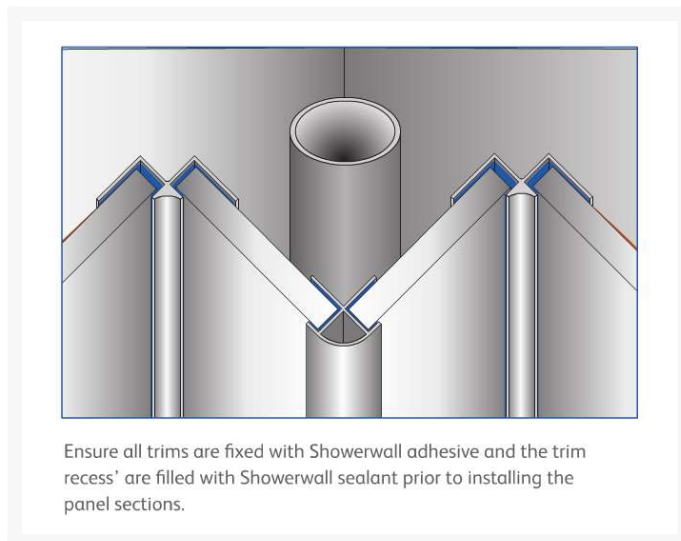
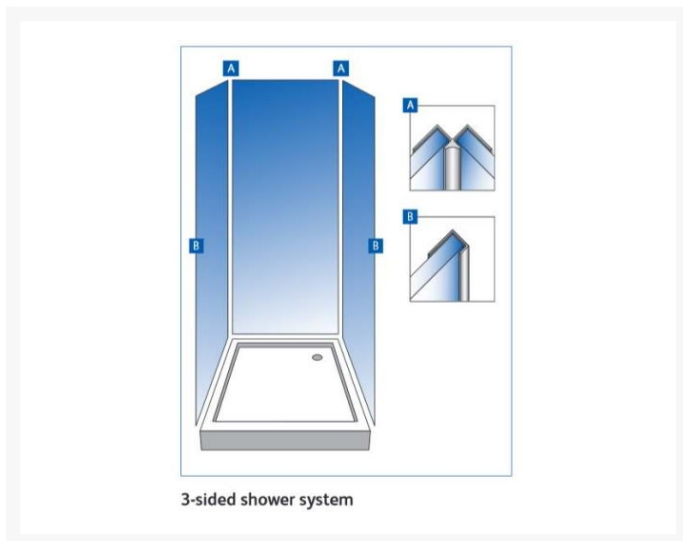
Showerwall Internal Corner Trim - 2450mm Length - Black Silk Finish

£32.69 Inc. VAT

Product Code: SHWL-019

Product Images





Description

The Internal Corner aluminium extrusion with Black Silk finish for use with the Showerwall range of decorative waterproof panels for shower and bathroom applications.

Use for creating a waterproof 90°C internal corner, requires Showerwall Sealant (order separately).

Examples of application:

- 1 x Internal Corner – For joining 2 panels at a corner to create a 2 sided corner shower system
- 2 x Internal Corners – For joining 3 panels at a corner to create a 3 sided alcove shower system

Technical information:

- 1 x 2450mm length
- Black Silk finish
- A Mitre box should be used to cut trims
- Once installed – 11mm wide exposed face visible
- Showerwall panels should be installed with Showerwall Sealant – White or translucent (order separately) as per Showerwall Installation instructions.
- Trims protect sharp edges of Showerwall panels and provide a smart decorative finish

Also available in 4 other finishes:

- Antique Gold (Product Code: SHWL-018)
- Bright Silver (Product Code: SHWL-020)
- Satin Silver (Product Code: SHWL-021)
- White Gloss (Product Code: SHWL-022)

Shipping:

- Please note: All Showerwall products trims and panels are subject to a shipping charge, dependant on Postcode which will be calculated at Checkout

Additional Information

Manufacturer	Showerwall
Component	Aluminium Internal Corner
Trim Colour	Black Silk