



Independent 4 Life

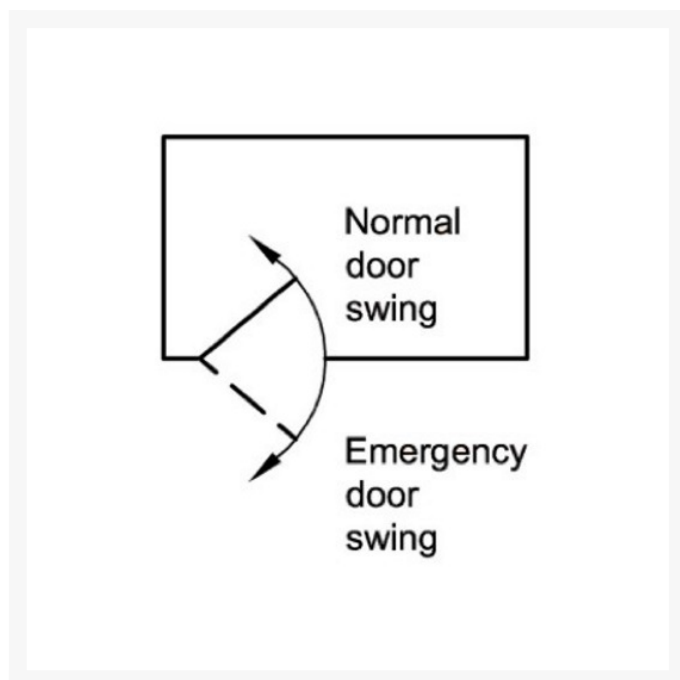
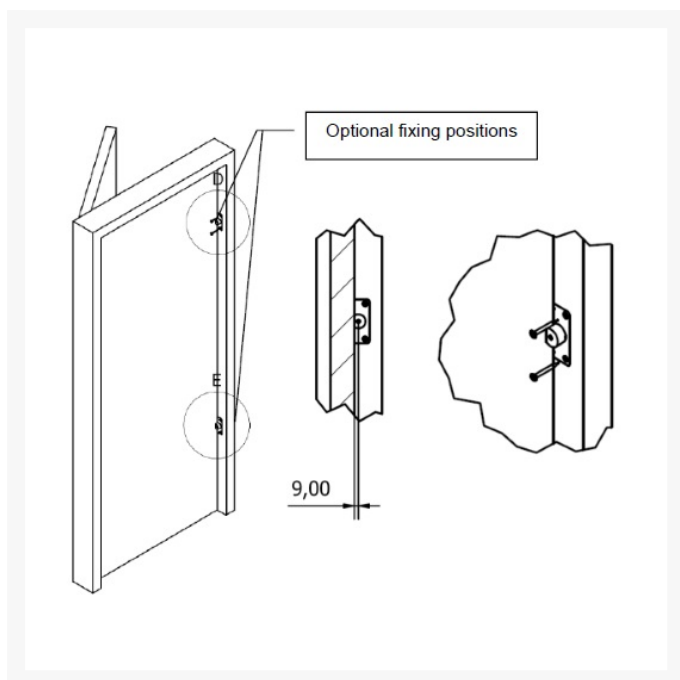
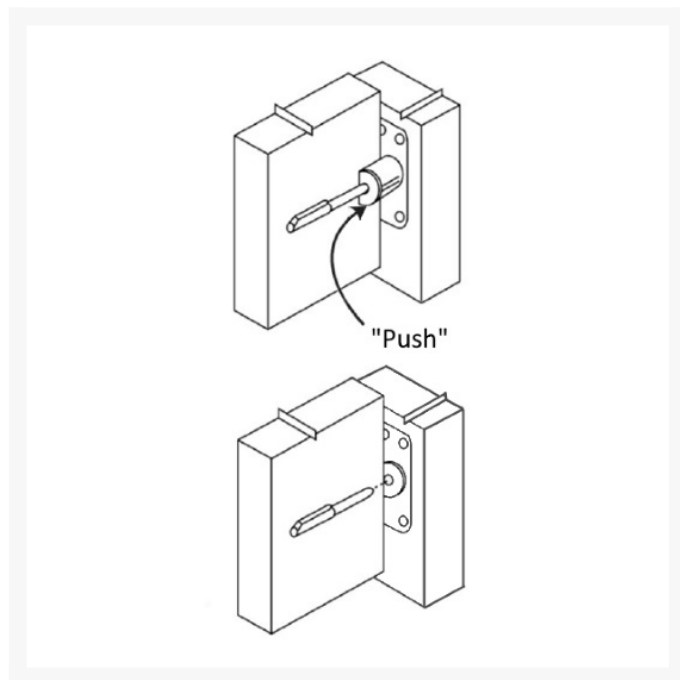
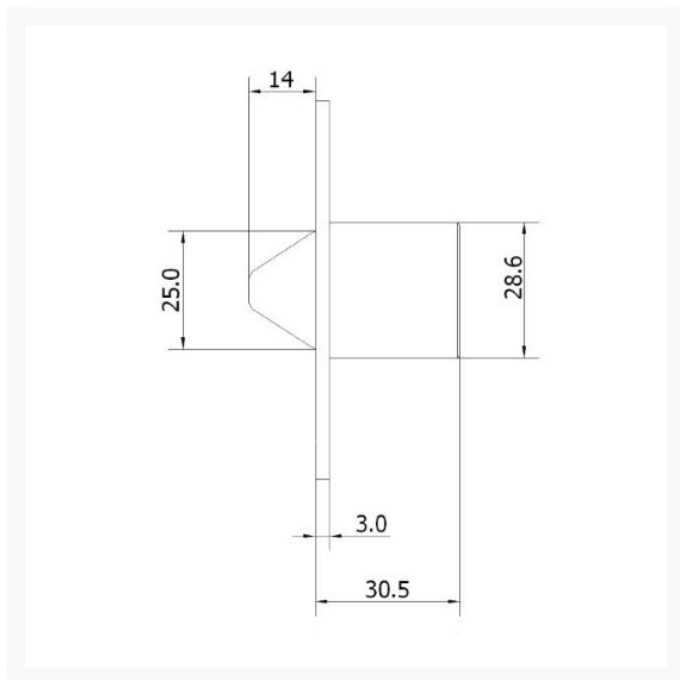
£121.33 Inc. VAT

Royde & Tucker Anti-ligature Emergency Release Door Stop, Lock-In/Out Holdback, Plunger Style - Satin SS

Product Code: H131-300

Product Images





Description

Royde & Tuckers anti-ligature emergency release functions as a door stop in normal day-to-day use, in the event of an emergency the plunger can be depressed, allowing the door to be swung outwards to gain access.

This version of the standard plunger style door stop is anti-ligature, approved to TS001 Grade 4 (0.5mm).

Typical installations are in healthcare whereby the stop can be removed to gain emergency access if, for example, a patient has collapsed against the back of the door.

It could also be used in some situations as an anti barricade device.

All emergency releases require the door to be operable in both directions, therefore the door must be hung on a pivot hinge or floor spring.

- Anti-ligature holdback facility - Approved TS001 Grade 4 (0.5mm)
- The stop can be "locked" in the IN or Out position to e.g. prevent tampering
- Allows double action door to operate as a single swing when hung on a pivot hinge
- Emergency access is gained by depressing the stop and pulling the door outward
- Stop release resets automatically
- Suitable for use on FD30 and FD60 fire doors
- Maintenance free - 25 year manufacturer guarantee
- Plate has an R8 radius for easier installation
- M5 x 30mm screws included
- Grade 304 stainless steel
- Satin finish

Warranty:

- 25-year manufacturer warranty

Recommended accessories:

- Pivot Door Hinges - Which allow the door to swing in either direction
- Brush strips - it is recommended that both lock and hinge stiles are brush stripped for privacy

Additional Information

Manufacturer	Royde & Tucker
Suitable For FD30 / FD60 Fire Doors	Yes