



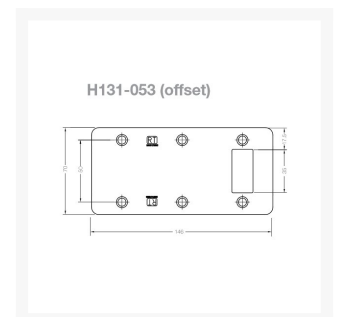
Independent 4 Life

Royde & Tucker Offset Two Way Striking Plate 70x146mm - Brushed SS

£40.98 Inc. VAT

Product Code: H131-053

Product Images



Description

RT Two Way Striking Plate with offset keep designed for use with for use Royde & Tucker Double Action Locks, ideal for disabled bathroom door applications.

Compatible with Royde & Tucker Double Action Locks H131-750 and H131-751 in conjunction with a double action pivot door set.

Technical details:

- Unhanded
- 70x146mm
- Offset latch bolt cut-out is 1-3/8" x 11/16" (35mm x 17mm)
- Allows a door to be opened in both directions without damaging the frame, if used with an Emergency Release Door Stop and Double Action Pivot Door Hinge Set
- 6x No. 8 - 1-1/4" Stainless steel fixing screws included
- Brushed Stainless steel curved strike plate - grade 304

Designed for use with Royde & Tucker - Double Action 72mm roller bolt lock cases - Order Separately:

- (Product Code: H131-750) - Double Action 72mm roller bolt lock case, lightly sprung for sprung lever furniture
- (Product Code: H131-751) - Double Action 72mm roller bolt lock case, heavily sprung for unsprung lever furniture
- Royde & Tucker - Double Action Pivot Door Hinge sets
- Royde & Tucker - Emergency Release Door Stops - Wedge or Plunger types

Additional Information

Manufacturer

Royde & Tucker