



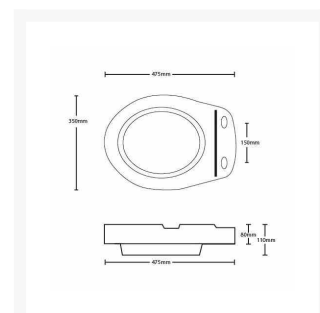
Independent 4 Life

# Throne Accessories 80mm Toilet Seat Spacer

£188.40 Inc. VAT

Product Code: SP80

## Product Images



## Additional Options

### Optional brackets

Extension Brackets for Fitting with the 3-in-1 Support Rail (Product Code: SPBPC)

£26.00

## Description

---

Toilet seat spacer by Throne Accessories, to increase the height of a toilet pan.

An ideal alternative to a toilet plinth, this version raises the toilet seat height by 80mm.

### Key benefits:

- Raises the toilet seat height by 80mm
- An alternative to fitting a toilet plinth
- Easy to install
- Supplied with longer bolts to secure a seat (not included) and the spacer to the WC pan

### Dimensions and compatibility:

- 80mm height with 30mm recess into toilet pan
- Suitable for toilet pans with an overall depth of 475mm (see plan drawing)
- Suitable for toilet pans with an overall width of 350mm (see plan drawing)
- Suitable for toilet pans with 150mm centre-to-centre seat lid fixings
- Compatible with the Bio-Bidet range of electronic toilet seats

### Optional brackets:

- If installing with the Throne Accessories 3-in-1 Toilet Support Rail (Product Code: R31PC) you will require the Extension Brackets (Product Code: SPBPC)
- Please select above if required

### Please note:

- Toilet rail, toilet pan and seat are not included
- This product is not compatible with the USPA bidet toilet seats

### Returns: Please note:

- Due health and hygiene and infection control this product is non-returnable

## Additional Information

---

Manufacturer

Throne Accessories